

Innovision

24VDC Neon LED Tape

Specification Sheet

Project Name	Type
Catalog #	Date

PRODUCT OVERVIEW

A flexible 24VDC linear tape designed for simple installation on flat surfaces or in corners. Its convenient cut lengths and corner fit make it well-suited for confined spaces, detailed layouts, and architectural accents. Crafted to deliver uniform, illumination with smooth, consistent output along the entire run. Ideal for applications requiring clean lines of light and seamless visual continuity.



FEATURES

- LED jacket snaps directly into channel for easy and clean installation
- Single color cut increment .23"
- Tunable White and RGBW cut increment 1.97"
- Tape encased in UV resistant silicone
- Dimmable
- White 2700K, 3000K, 3500K, & 4000K
- 120° viewing angle
- Maximum run: 16'4" with a 48" power feed
- Factory Cuts Only

SPECIFICATIONS

ELECTRICAL

- 24VDC
- 3W per foot

PHOTOMETRIC

- White: 2700K, 3000K, 3500K or 4000K at 90+ CRI

CERTIFICATION

- cULus
- IP66

ENVIRONMENTAL

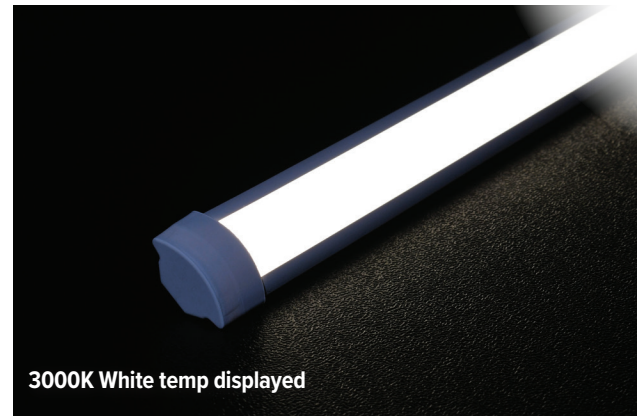
- Outdoor & wet location rated
- UV resistant
- -13°F - 104°F (-25°C to 40°C)

WARRANTY

- 5 years



INA24V3W30K



3000K White temp displayed

ORDERING INFORMATION

Ordering Example: 27K, 13ft 10.75"
 Single Color (order to 1/4"): INA24V3W27K-13-10.75
 Tunable/RGBW (order to 2"): INA24V3W20T60K-13-10

Product No.	Watts/ft	Lumens/ft	Color Temp	MIN. Run	Max. Run
INA24V3W27K-FT-IN.IN	3W	206lm	2700K	6 in	16 ft 4 in
INA24V3W30K-FT-IN.IN	3W	212lm	3000K	6 in	16 ft 4 in
INA24V3W35K-FT-IN.IN	3W	221lm	3500K	6 in	16 ft 4 in
INA24V3W40K-FT-IN.IN	3W	235lm	4000K	6 in	16 ft 4 in
INA24V3W20T60K-FT-IN	3W	74lm - 101lm	2000K-6000K	6 in	16 ft 4 in
INA24V3WRGBW-FT-IN	3W	54lm	3000K	6 in	16 ft 4 in

Innovision

24VDC Neon LED Tape

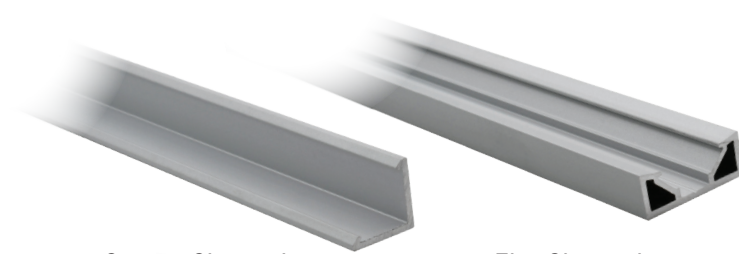
Specification Sheet

ACCESSORIES

Product No.	Description
INACCHL4CA	Corner Mount Channel, 4 ft
INACCHL6CA	Corner Mount Channel, 6 ft
INAFCHL4CA	Flat Mount Channel, 4 ft
INAFCHL6CA	Flat Mount Channel, 6 ft

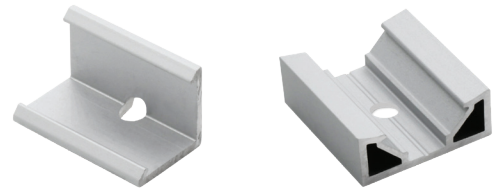
Product No.	Description
INAMCC	Corner Mounting Clip, 10 clips
INAMCF	Flat Mounting Clip, 10 clips
INAFAS1	Stainless Steel Screws, 10 screws

Note: These accessories are exclusive to **Innovision** LED Tape.



Corner Channel
INACCHL(4/6)

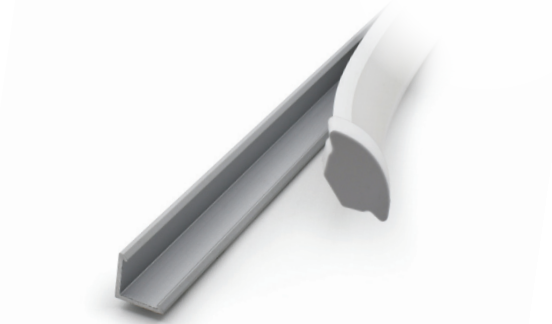
Flat Channel
INAFCHL(4/6)



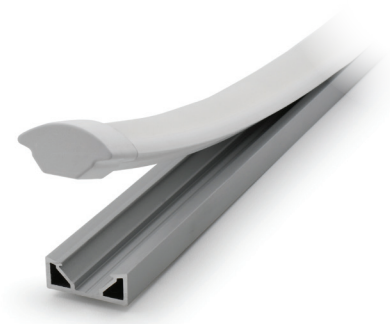
Corner Clip
INAMCC

Flat Clip
INAMCF

Note: These channels (Corner & Flat) are available in 4ft and 6 ft.



Corner mount channel allows installation at 45°
INACCHL(4/6)CA



Flat mount channel allows flat surface installation
INAFCHL(4/6)CA

POWER SUPPLIES

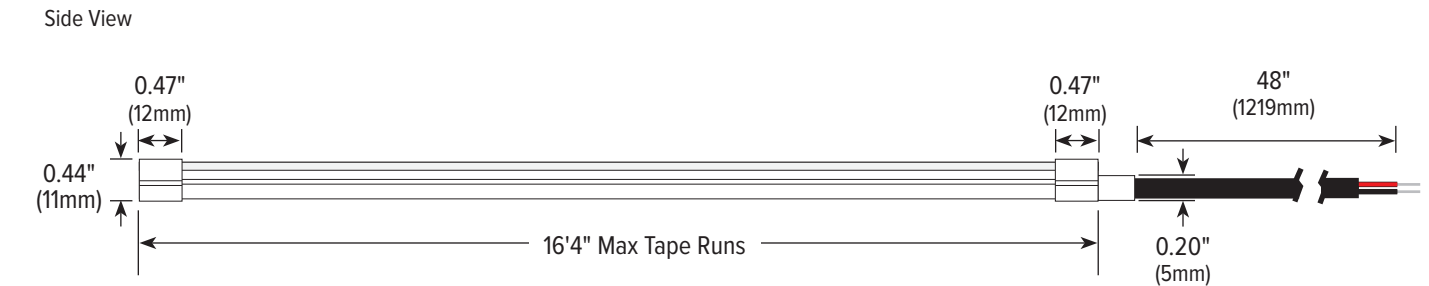
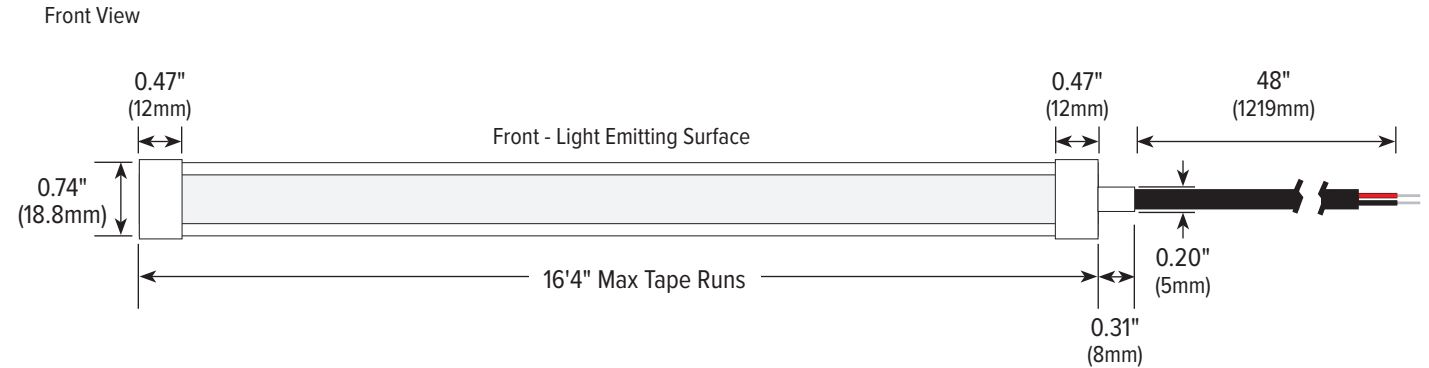
Product No.	Description
SWITCHLD-SWD	24V Dimmer & Driver in 1
LD-XD Series	LineDRIVE 24V Dimmable Power Supplies
LD-MD Series	LineDRIVE 24V Magnetic Power Supplies
PSD Series	Constant Voltage 24V Dimmable Power Supplies

Innovision

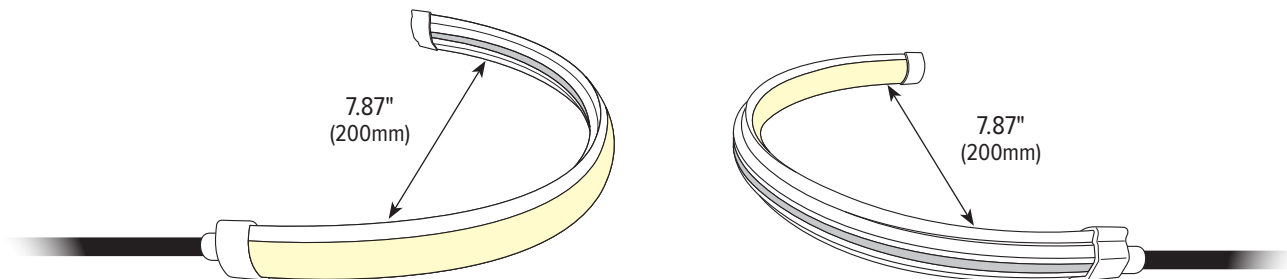
24VDC Neon LED Tape

Specification Sheet

DIMENSIONS



Minimum Bending Diameter



Note: This product supports vertical-plane bending only. Do not bend horizontally or twist.

Minimum bend diameter: 200mm / 7.87"

Ordering Notes
Order SINGLE COLOR WHITE in feet and inches to the nearest 1/4" (0.25, 0.50, or 0.75) Actual parth length = Specified length +0.00 / -0.23" due to cut increment & tolerance.
Order TUNABLE WHITE & RGBW in feet & inches. Actual parth length = Specified length +0.00 / -1.97" due to cut increment & tolerance.

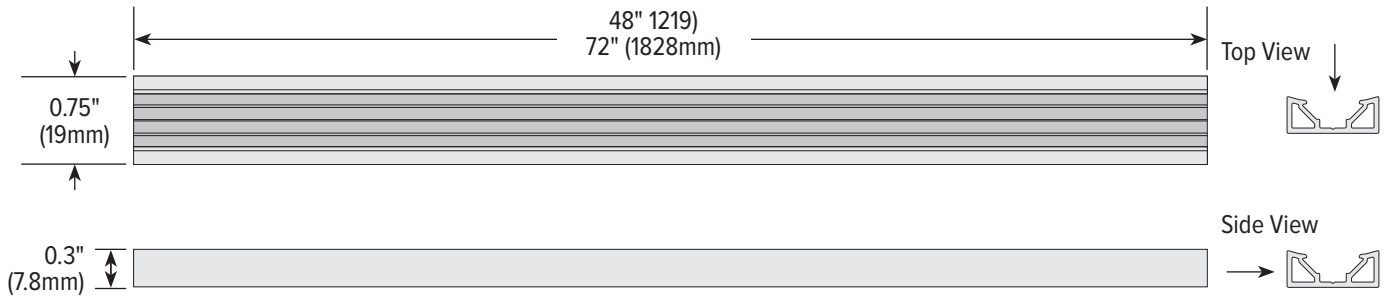
Innovision

24VDC Neon LED Tape

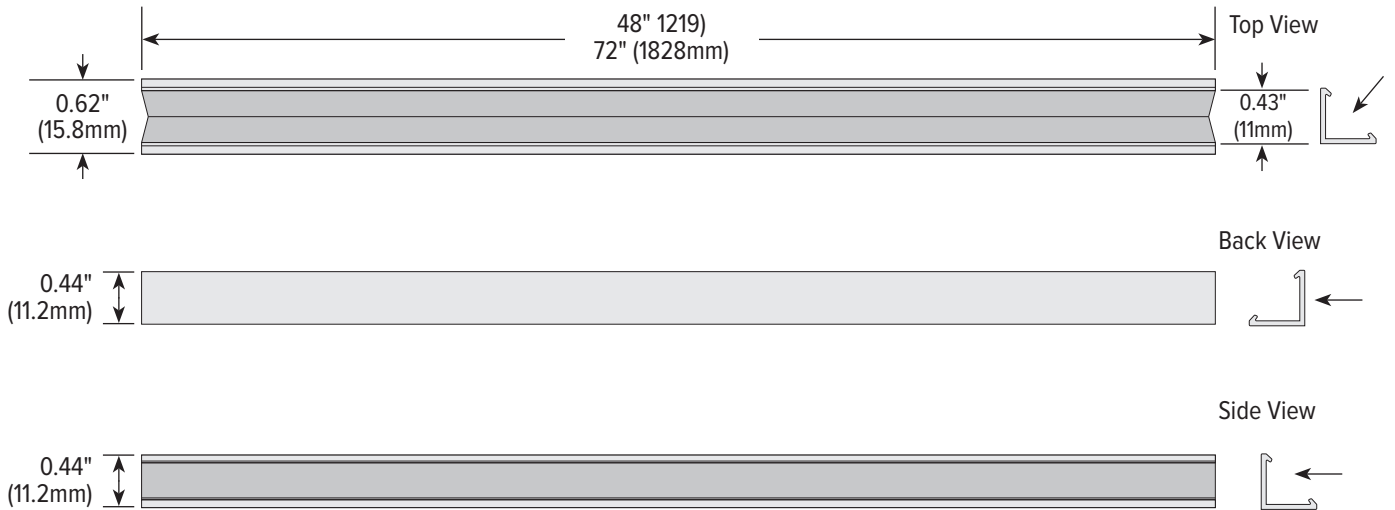
Specification Sheet

DIMENSIONS

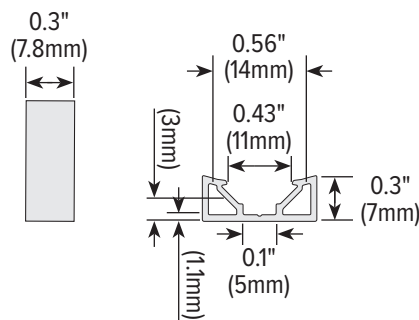
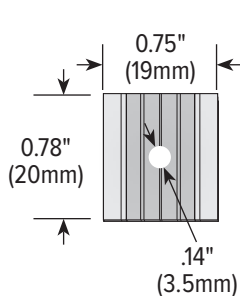
Flat Mount Channel
INACCHL(4/6)CA



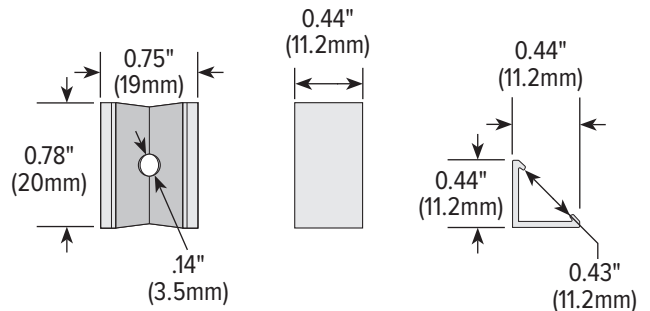
Corner Mount Channel
INAFCHL(4/6)CA



Flat Mounting Clips
INAMCF



Corner Mounting Clips
INAMCC



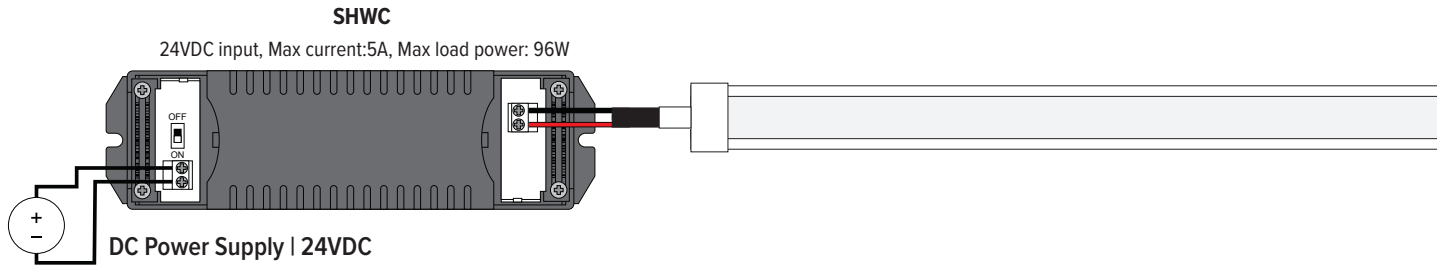
Innovision

24VDC Neon LED Tape

Specification Sheet

WIRING DIAGRAM

Single Color Smart Controller



Input signal from
Controller

CONTROLLERS

Product No.	Description
SHWC*	Smart 2.4 GHz WiFi Controller, Standard 12V/24V Low Voltage, 1-Channel / 2-Wire
SHWC-RGBW-RPT*	Universal Smart Power Repeater

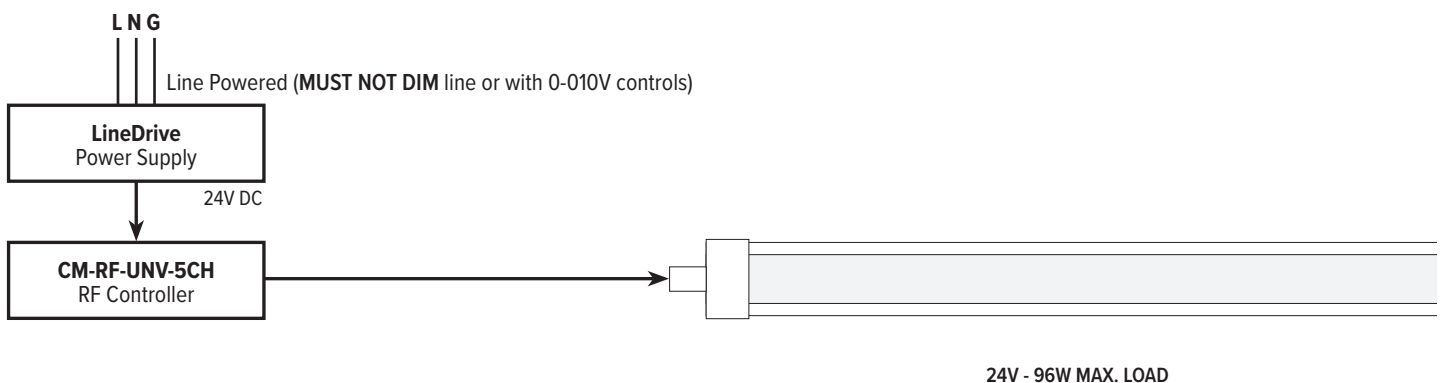
*NOTE: For use with **LD-E** (non-dimmable) or **LD-XD** (dimmable) power supply only. Not compatible with **LD-MD** (magnetic) power supply.

POWER SUPPLIES (For Use With SHWC)

Product No.	Description
LD-XD Series	LineDRIVE 24V Dimmable Power Supplies
PSD Series	Constant Voltage 24V Dimmable Power Supplies

*NOTE: Drivers can power LED controls when not being dimmed at the line inputs or by 0-10V inputs

RF CONTROLLER



CONTROLLERS

Product No.	Description
HC-RF-UNV-5CH	Universal 1-5 Channel RF Remote Control
CM-RF-UNV-5CH	Universal 1-5 Channel Control Module
RPT-UNV-5CH	Universal 1-5 Channel Repeater Amplifier

POWER SUPPLIES (For Use With RF Controller)

Product No.	Description
LD-XD-UNV Series	LineDRIVE 12V / 24V Power Supplies
LTP Series	24V Electronic LED Power Supplies

Note: Multiple power supplies can be replaced with a single multi-output power supply.