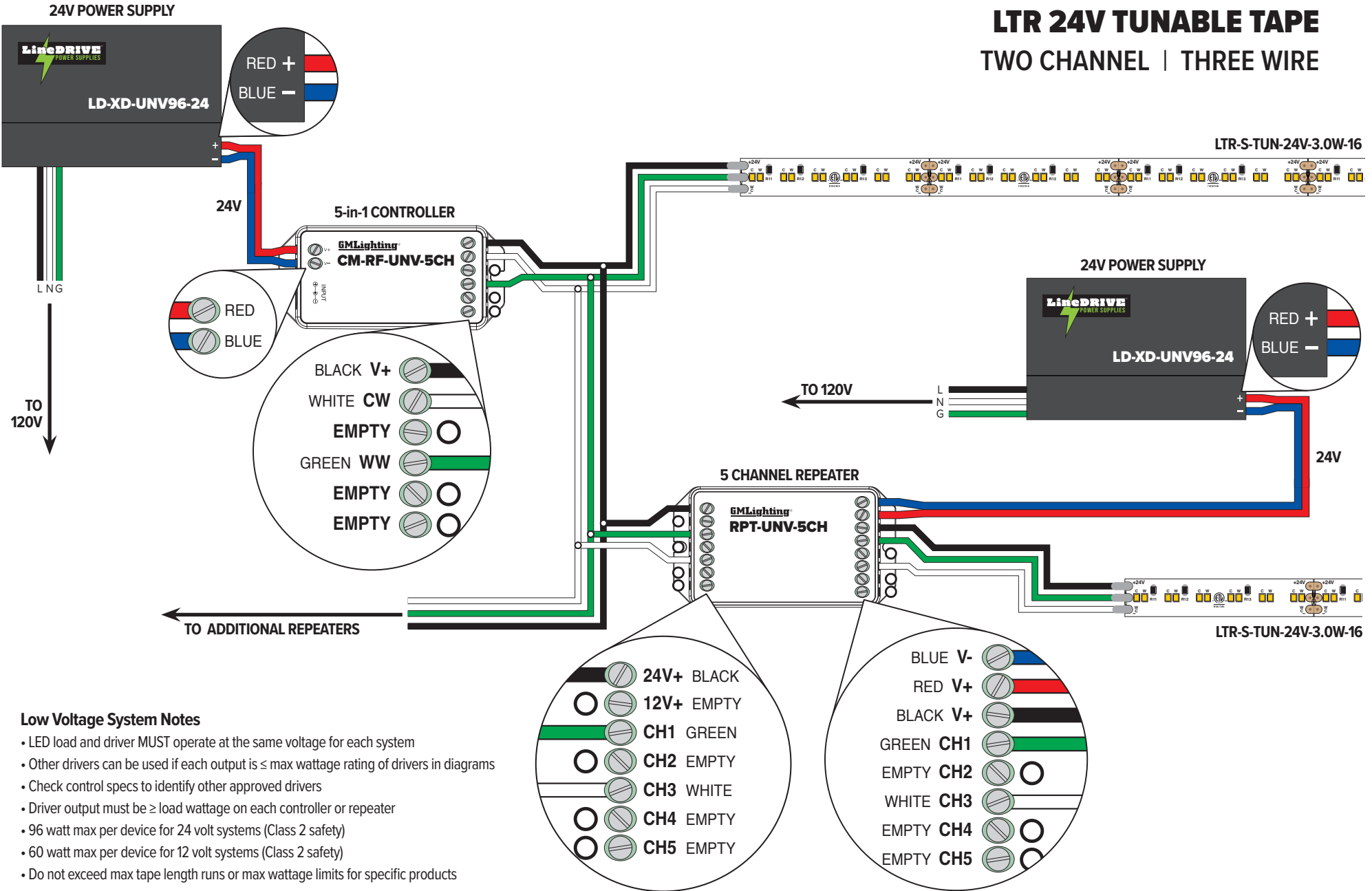


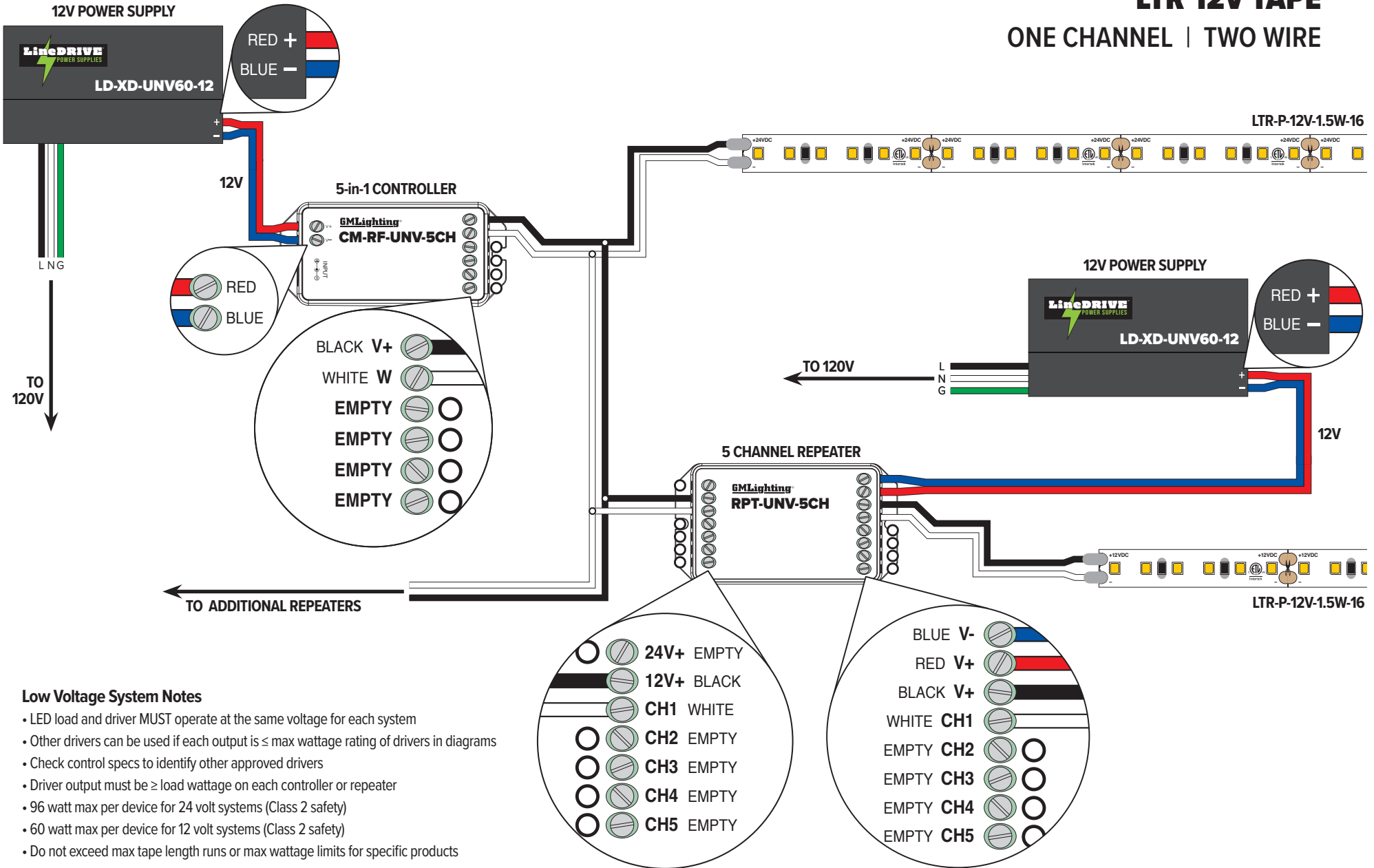
LTR 24V TUNABLE TAPE TWO CHANNEL | THREE WIRE



Low Voltage System Notes

- LED load and driver MUST operate at the same voltage for each system
- Other drivers can be used if each output is ≤ max wattage rating of drivers in diagrams
- Check control specs to identify other approved drivers
- Driver output must be ≥ load wattage on each controller or repeater
- 96 watt max per device for 24 volt systems (Class 2 safety)
- 60 watt max per device for 12 volt systems (Class 2 safety)
- Do not exceed max tape length runs or max wattage limits for specific products

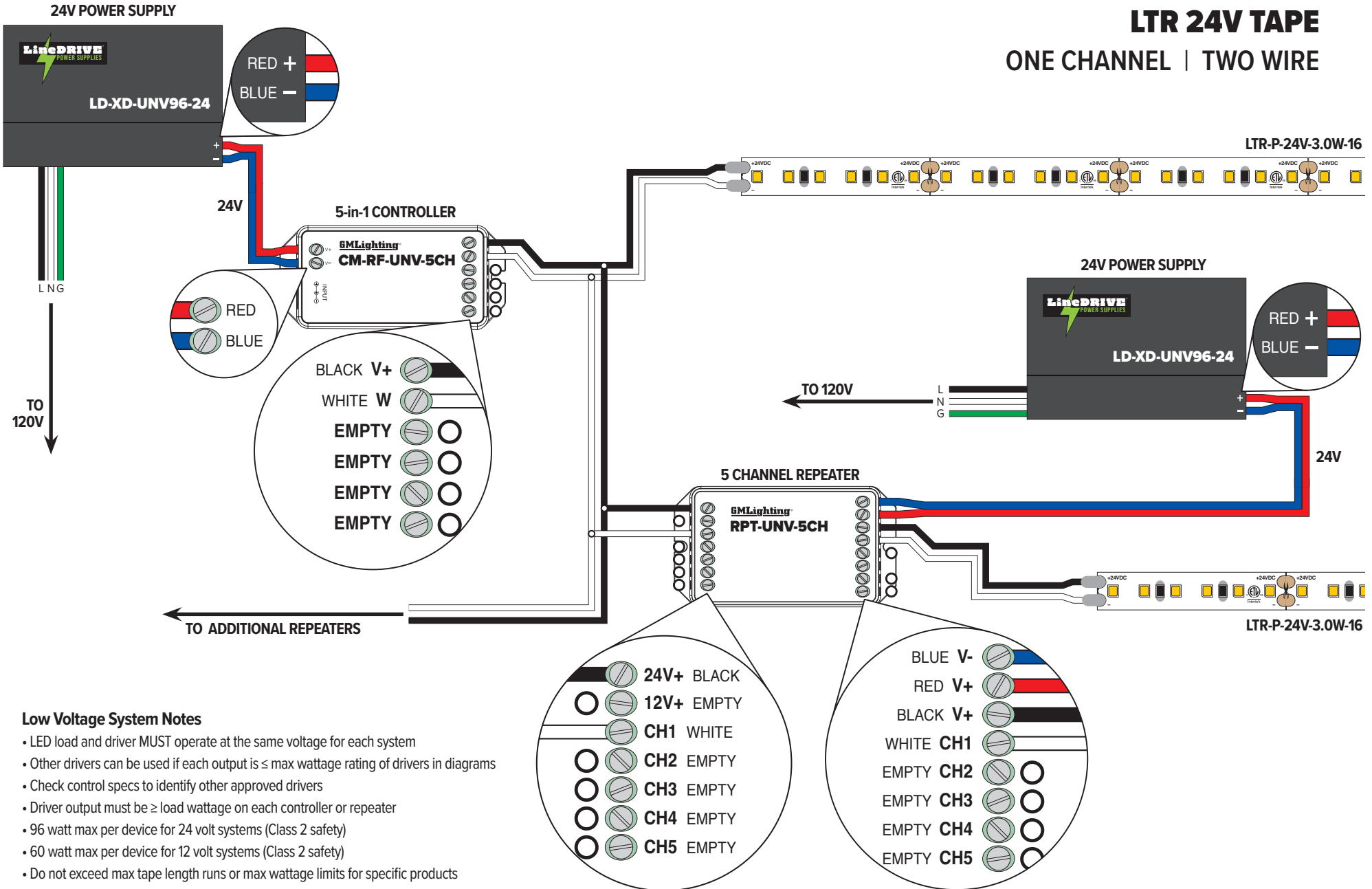
LTR 12V TAPE ONE CHANNEL | TWO WIRE



Low Voltage System Notes

- LED load and driver MUST operate at the same voltage for each system
- Other drivers can be used if each output is ≤ max wattage rating of drivers in diagrams
- Check control specs to identify other approved drivers
- Driver output must be ≥ load wattage on each controller or repeater
- 96 watt max per device for 24 volt systems (Class 2 safety)
- 60 watt max per device for 12 volt systems (Class 2 safety)
- Do not exceed max tape length runs or max wattage limits for specific products

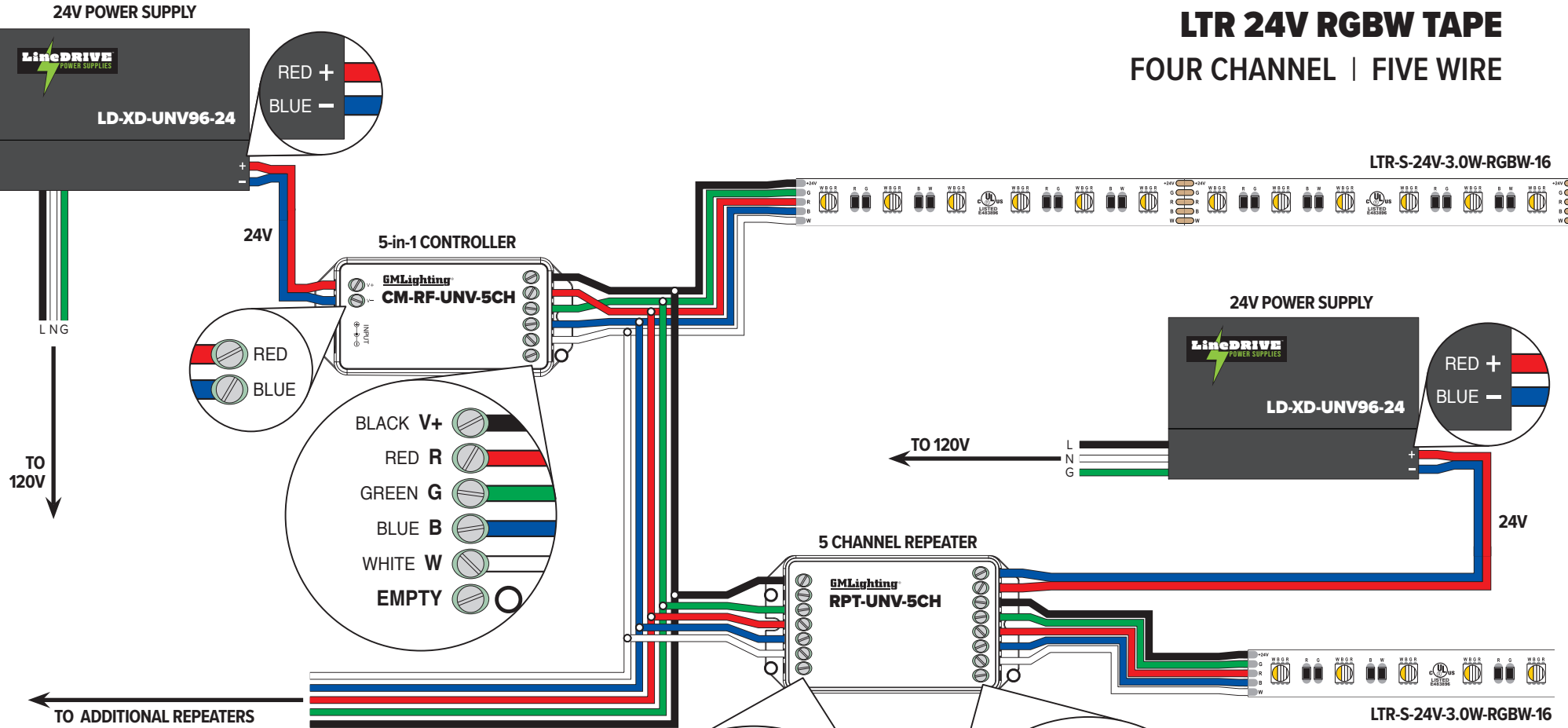
LTR 24V TAPE ONE CHANNEL | TWO WIRE



Low Voltage System Notes

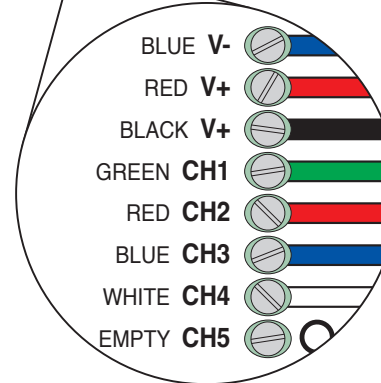
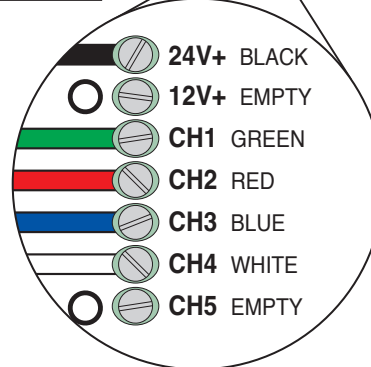
- LED load and driver MUST operate at the same voltage for each system
- Other drivers can be used if each output is ≤ max wattage rating of drivers in diagrams
- Check control specs to identify other approved drivers
- Driver output must be ≥ load wattage on each controller or repeater
- 96 watt max per device for 24 volt systems (Class 2 safety)
- 60 watt max per device for 12 volt systems (Class 2 safety)
- Do not exceed max tape length runs or max wattage limits for specific products

LTR 24V RGBW TAPE FOUR CHANNEL | FIVE WIRE

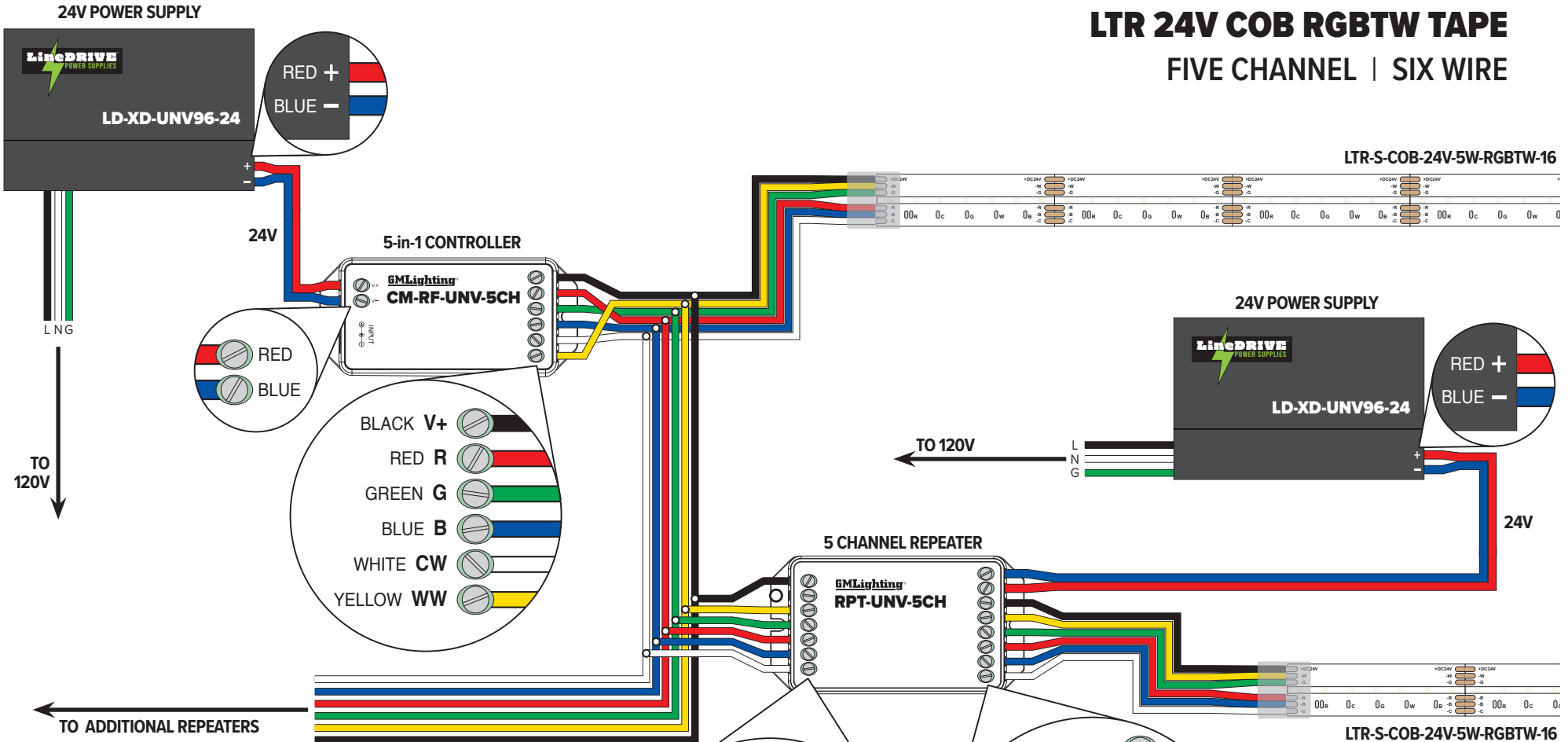


Low Voltage System Notes

- LED load and driver MUST operate at the same voltage for each system
- Other drivers can be used if each output is ≤ max wattage rating of drivers in diagrams
- Check control specs to identify other approved drivers
- Driver output must be ≥ load wattage on each controller or repeater
- 96 watt max per device for 24 volt systems (Class 2 safety)
- 60 watt max per device for 12 volt systems (Class 2 safety)
- Do not exceed max tape length runs or max wattage limits for specific products



LTR 24V COB RGBTW TAPE FIVE CHANNEL | SIX WIRE



Low Voltage System Notes

- LED load and driver MUST operate at the same voltage for each system
- Other drivers can be used if each output is ≤ max wattage rating of drivers in diagrams
- Check control specs to identify other approved drivers
- Driver output must be ≥ load wattage on each controller or repeater
- 96 watt max per device for 24 volt systems (Class 2 safety)
- 60 watt max per device for 12 volt systems (Class 2 safety)
- Do not exceed max tape length runs or max wattage limits for specific products

