

# Aluminum Mounting Channel

## 4' / 6' STANDARD FORMAT

|              |      |
|--------------|------|
| Project Name | Type |
| Catalog #    | Date |

### PRODUCT OVERVIEW

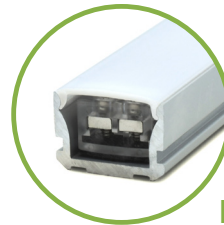
GM Lighting's **LED-CHL2** channel accepts most low voltage, GM Lighting LED tapes and EST connectors for easy installation. See catalog for compatibility with tape widths. These channels come in several colors and are the perfect vessel to blend with many architectural styles. The standard white lens provides provide a soft, direct light or choose a black lens and channel for dynamic effect.

### FEATURES

- 4ft (48in) and 6ft (72in) length
- Available in clear anodized silver, white or black finish with white acrylic lenses
- Includes 2 with 4ft or 4 with 6ft mounting clips and screws
- Black lens option to minimize view of channel and lens
- End caps sold separately
- For select LTR Series Tape - **LTR-P**, **LTR-S** and **LTR-E**

### APPLICATIONS

- Ceiling corners
- Vertical corner accent
- Night club (black lens)
- Undercabinet
- Bookcase
- Hospitality



Fits EST connectors for easy assembly

### ORDERING INFORMATION

Example: **LED-CHL2-4-CA**

| Channel/Lens       | Color  | Length | Description   |
|--------------------|--------|--------|---|
| LED-CHL2-4-CA      | Silver | 4'     | 4' channel, 4' white lens (2) mounting clips, (2) screws  |
| LED-CHL2-4-WH      | White  |        |   |
| LED-CHL2-4-BK      | Black  |        |   |
| LED-CHL2-6-CA      | Silver | 6'     | 6' channel, 6' white lens, (4) mounting clips, (4) screws |
| LED-CHL2-6-WH      | White  |        |   |
| LED-CHL2-6-BK      | Black  |        |   |
| LED-CHL2 LENS-4-BK | Black  | 4'     | 4 foot lens in black for <b>LED-CHL2-4</b>                |
| LED-CHL2 LENS-6-BK | Black  | 6'     | 6 foot lens in black for <b>LED-CHL2-6</b>                |

### ACCESSORIES

| Catalog No.  | Color  | Description  |
|--------------|--------|--|
| LED-CHL2-ECG | Silver | (2) End caps for <b>LED-CHL2-CA</b> : light gray, one solid, one with hole |
| LED-CHL2-ECW | White  | (2) End caps for <b>LED-CHL2-WH</b> : white, one solid, one with hole      |
| LED-CHL2-ECB | Black  | (2) End caps for <b>LED-CHL2-BK</b> : black, one solid, one with hole      |
| LED-CHL2-MC  | Silver | (2) Mounting clips and (2) screws  |
| LED-CHL2-AMC | White  | (2) Adjustable mounting clips and (2) screws                               |

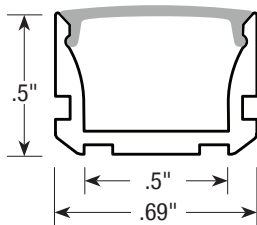
# Aluminum Mounting Channel

4' / 6' STANDARD FORMAT

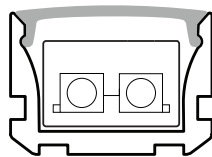
| LED Tape Compatibility    |            |                |            |          |
|---------------------------|------------|----------------|------------|----------|
| LED Tape Series           | Connectors | Soldered Leads | Tape width | Location |
| LTR-P Professional Series | EST        | Yes            | 10mm       | Dry      |
| LTR-S (2.5W, 5.8W)        | EST        | Yes            | 10mm       | Dry      |
| LTR-S COB (Chip On Board) | -          | Yes            | 10mm       | Dry      |
| LTR-S DTW (Dim to Warm)   | EST        | Yes            | 10mm       | Dry      |
| LTR-S-TUN (Tunable White) | -          | Yes            | 10mm       | Dry      |
| LTR-E Economy Series      | ST         | Yes            | 8mm        | Dry      |

**DIMENSIONS**

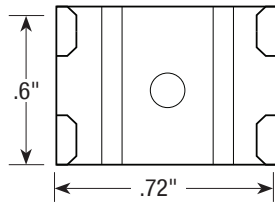
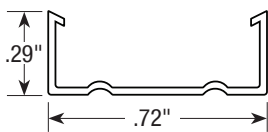
**LED-CHL2-4  
LED-CHL2-6**



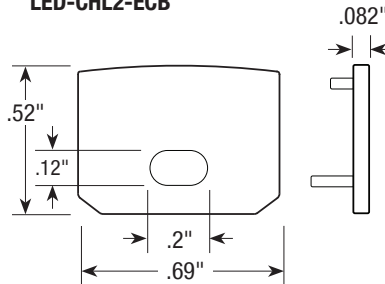
**LED-CHL2 with  
EST Connector**



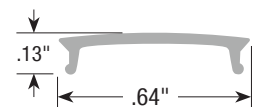
**LED-CHL2-MC**



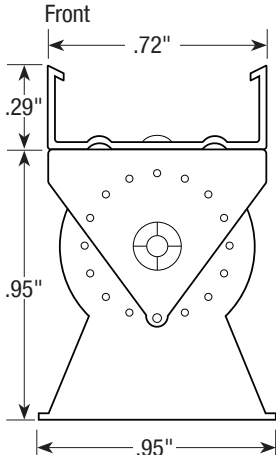
**LED-CHL2-ECG  
LED-CHL2-ECW  
LED-CHL2-ECB**



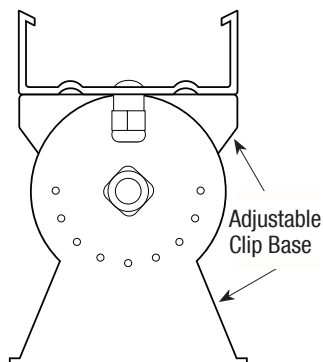
**White and Black Lenses**



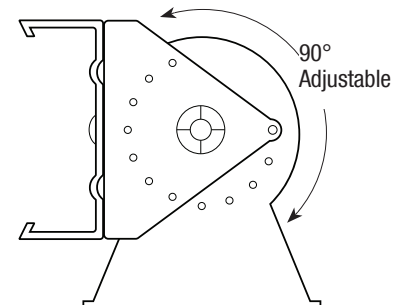
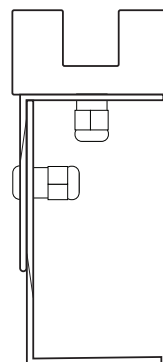
**LED-CHL2-AMC**



**Back**



**Side**



**SPECIFICATIONS**

- Channel: Extruded aluminum
- Lens: Acrylic, black lens has 25% transmission
- Mounting Clip: Stainless steel
- Adjustable Clip Base: Plated steel
- Warranty: 5 years