

Accent/Task Puck Light

SDP Series 12VDC 3W LED



Project Name	Type
--------------	------

Catalog #	Date
-----------	------

PRODUCT OVERVIEW

A surface or recess mount 12VDC, 3W High Power 3000K warm white LED puck that is available in white, black, bronze or brushed nickel. All high-grade aluminum for superior heat dissipation. Frosted lens delivers even light distribution. Available as single puck only. Dimmable power supplies available, sold separately.



FEATURES

- 12VDC operation
- 3000K warm white
- Multiple finishes: white, black, bronze, brushed nickel
- 120° beam angle
- Dimmable with ELV or MLV power supply
- Surface or recess mount
- 5 year warranty when used with GM power supplies
- Ambient Operating Temperature: -4°F to 113°F
- For indoor dry locations only



SPECIFICATIONS

ELECTRICAL

- 3.0W

CERTIFICATION

- ETL listed

OPTICS

- 3000K / 220lm
- 90+ CRI

WARRANTY

- 5 year warranty

CONSTRUCTION

- All high-grade aluminum for superior heat dissipation

ORDERING INFORMATION

Example: SDP-3-BNK

Model	Wattage	Finish
SDP	3	W (White)
		BNK (Brushed Nickel)
		BZ (Bronze)
		B (Black)

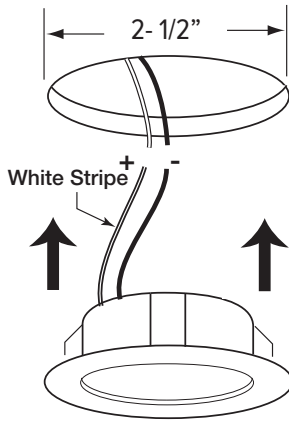
Note: 48" lead affixed.

Accent/Task Puck Light

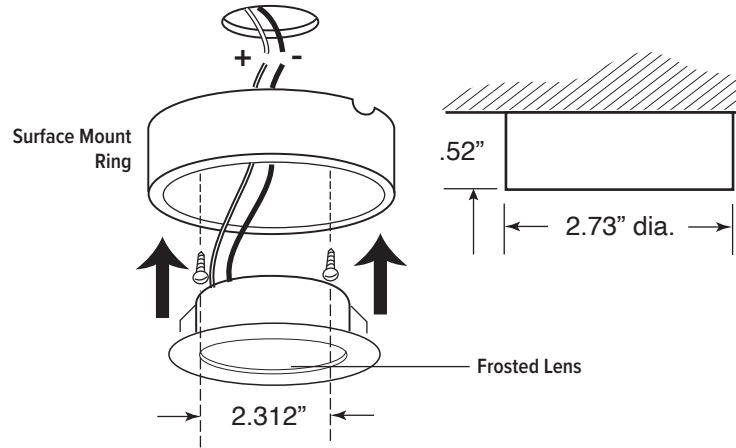
SDP Series 12VDC 3W LED



DIMENSIONS

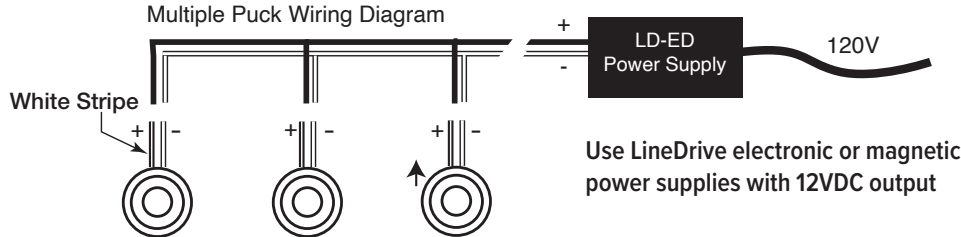


Recessed Installation



Surface Installation

WIRING DIAGRAM



Note: Follow driver specifications for recommendations on minimum loading. Limit maximum loading to 80% of full driver output for best operation. LD-MD (magnetic power supplies) and LD-EDM series are not compatible with this fixture.

See driver specification for compatible dimmers.