

LTR-S Specification Series

1.5W / 3W COB (Chip On Board) Wet Location LED Tape Specification Sheet



Project Name	Type
--------------	------

Catalog #	Date
-----------	------

PRODUCT OVERVIEW

The newest addition in the flexible LED tape is the COBWP (Chip On Board - Wet location) technology. Tightly spaced diodes are encapsulated into a single phosphor strip that provides a seamless linear light display with no LED pixelation. Available in 2700K, 3000K, 3500K and 4000K.

FEATURES

- 24VDC
- 2700K, 3000K, 3500K and 4000K color temps
- Remote control with GM's LUXcontrol™ App and controllers (Requires NEMA box)
- Suitable for wet locations, IP65
- 156 LEDs per foot
- Cuttable every 2"
- 180° viewing angle
- Dimmable (ELV or MLV or LUXcontrol)
- 3M adhesive back
- Maximum run on a given lead 32'-8"

SPECIFICATIONS

ELECTRICAL

- 24V
- 1.5 / 3 watts per foot

OPTICS

- 95+ CRI

OPERATING TEMP

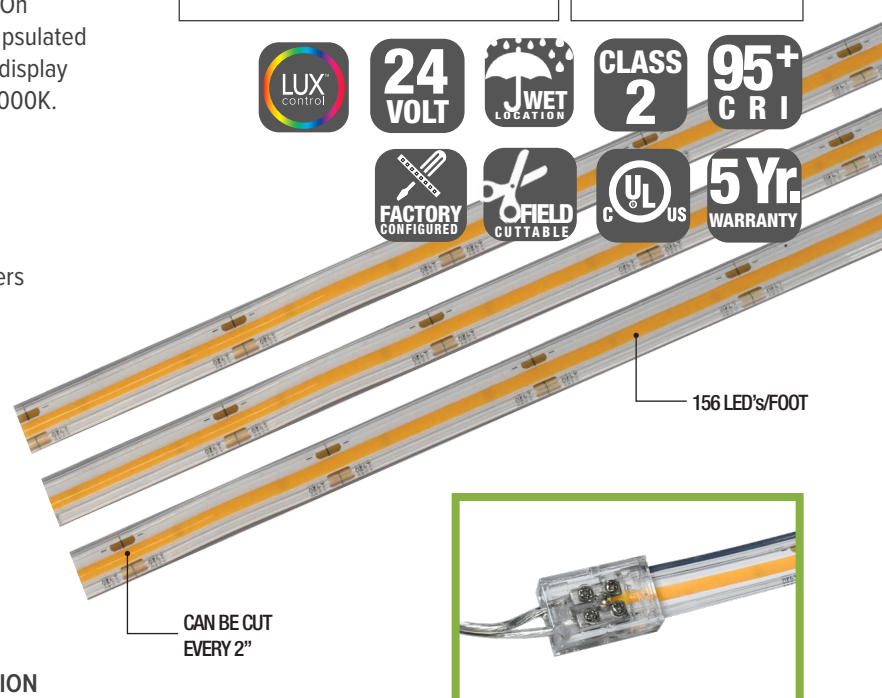
- -4°F to 122°F

CERTIFICATION

- UL
- IP65
- Title 24 compliant when used with specific drivers. Consult factory.

WARRANTY

- 5-year warranty when paired with GM power supply.



ORDERING INFORMATION

Example: LTR-S-COBWP-24V-3.0W-27K-FT

Model	Series	Type	Location	Voltage	Wattage/ft	Color Temp	Length
LTR	S	COB	WP	24V	1.5W	27K	FT
					3.0W	30K	
						3.0W	35K
					3.0W		40K

NOTE: Compatible with LED-CHL-XD series channels.
Reel Length: 32 = 32'-8"; Custom cuts available, consult factory

ACCESSORIES

Model	Description
LTR-P-WP-TTC-3	3" Tape to tape connector, UV sealed
LTR-P-WP-TTC-6	6" Tape to tape connector, UV sealed
LTR-P-WP-TTC-12	12" Tape to tape connector, UV sealed
LTR-P-WP-TTC-24	24" Tape to tape connector, UV sealed
LTR-P-WP-TPC-12	12 ft. power lead
LTR-P-WP-EC	End cap for wet location tape

Your LED Tape Specification Checklist:

1. Select Tape
2. Select Connectors
3. Select Channels
4. Select Controllers or Dimmers
5. Select Power Supplies

Install Sheet



LTR-S Specification Series

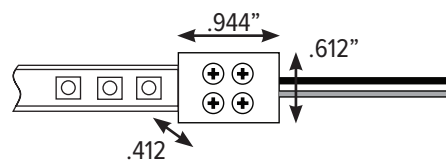
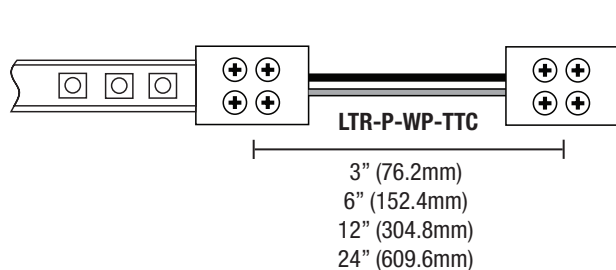
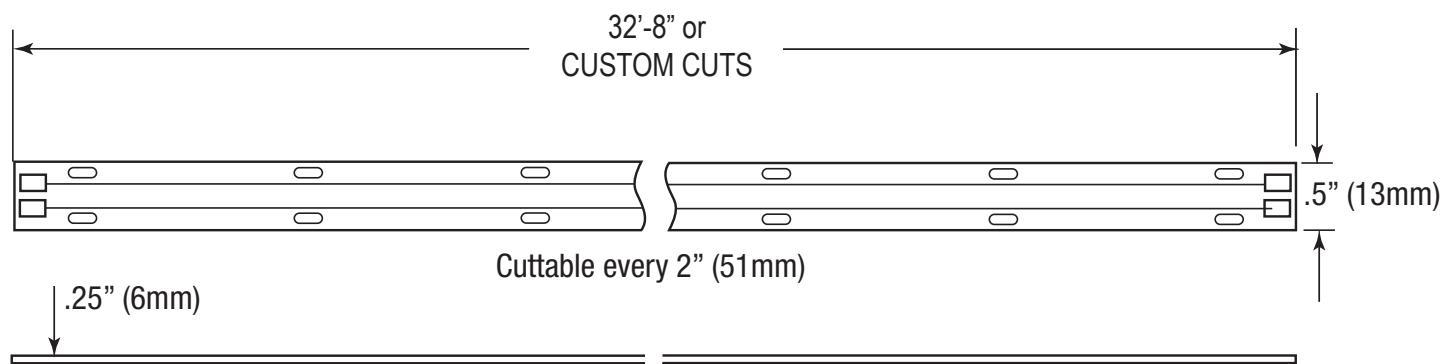
1.5W / 3W COB (Chip On Board) Wet Location LED Tape Specification Sheet



Catalog No.	Length	Lumens	CRI	Color Temp.	Max. Run
LTR-S-COBWP-24V-1.5W-27K-FT/-32	32'-8" or, CUSTOM CUT FEET-INCHES (CUTS MADE IN 2" INCREMENTS)	141	95+	2700K	32'-8"
LTR-S-COBWP-24V-1.5W-30K-FT/-32		148	95+	3000K	32'-8"
LTR-S-COBWP-24V-1.5W-35K-FT/-32		154	95+	3500K	32'-8"
LTR-S-COBWP-24V-1.5W-40K-FT/-32		174	95+	4000K	32'-8"
LTR-S-COBWP-24V-3.0W-27K-FT/-32		236	95+	2700K	32'-8"
LTR-S-COBWP-24V-3.0W-30K-FT/-32		248	95+	3000K	32'-8"
LTR-S-COBWP-24V-3.0W-35K-FT/-32		282	95+	3500K	32'-8"
LTR-S-COBWP-24V-3.0W-40K-FT/-32		282	95+	4000K	32'-8"

Includes 48" lead. Custom leads available - consult factory.
Kelvin temperature (color) ±100K.

DIMENSIONS



LTR-P-WP
Wet Location
Connector

LTR-S Specification Series

1.5W / 3W COB (Chip On Board) Wet Location LED Tape Specification Sheet

COMPATIBLE CONTROLLERS

Model	Description
SHWC	LUXcontrol Smart 2.4 GHz WiFi Controller, Standard 12V/24V Low Voltage
SHWD	LUXcontrol Smart 2.4 GHz WiFi Dimmer, Standard 12V/24V Low Voltage
SWDD60W24V	SwitchLD All-in-One Dimmer and Driver, 60W, 24VDC
SWDD96W24V	SwitchLD All-in-One Dimmer and Driver, 96W, 24VDC
HC-RF-UNV-5CH	Universal 1-5 Channel RF Remote Control
CM-RF-UNV-5CH	Universal 1-5 Channel Control Module
RPT-UNV-5CH	Universal 1-5 Channel Repeater Amplifier

Note: For wet location applications, use NEMA box (by others)

RECOMMENDED DRIVERS

Catalog No.	Description	Watts	Specification Sheet
LD-XD-UNV	LineDrive Electronic Multi-Dimmable Power Supply, 12VDC or 24VDC	20W, 40W, 60W, 96W, 180W, 200W, 300W	View Spec Sheet
LD-MD-UNV	LineDrive Magnetic Dimmable Power Supply, 12VDC or 24VDC	30W, 60W, 96W, 150W, 200W, 300W	View Spec Sheet
LTP	Cord and Plug Power Supply, 12VDC or 24VDC	25W, 48W, 60W, 90W	View Spec Sheet
PSD	Electronic Dimmable Power Supply, 12VDC or 24VDC	15W, 24W, 60W, 90W	View Spec Sheet

Please see our website for updated power supply specifications and information.

Note: NOT for use with LD-EDM series power supplies.

COMPATIBLE CHANNELS - FIT CONNECTORS ON PG. 1

EXTRA DEEP

Catalog No.	Description	Length	Dimensions
LED-CHL-XD	Extra deep format extruded channel. Includes snap-on frosted lens with mounting clips and screws.	4'	
LED-CHL-XD-6	Extra deep format extruded channel. Includes snap-on frosted lens with mounting clips and screws.	6'	
LED-CHL-XD-AMC	(2) Adjustable mounting brackets for LED-CHL-XD	N/A	
LED-CHL-XD-EC	(2) End caps for LED-CHL-XD. One solid, one with hole.	N/A	
LED-CHL-XD-MC	(2) Mounting clips and screws for LED-CHL-XD	N/A	

EXTRA DEEP FLANGED

Catalog No.	Description	Length	Dimensions
LED-CHL-XD-F	Extra deep format extruded channel with flange. Includes snap-on frosted lens with mounting clips and screws.	4'	
LED-CHL-XD-F-6	Extra deep format extruded channel with flange. Includes snap-on frosted lens with mounting clips and screws.	6'	
LED-CHL-XD-F-DC	(2) Drywall mounting brackets for LED-CHL-XD-F	N/A	
LED-CHL-XD-F-EC	(2) End caps for LED-CHL-XD-F. One solid, one with hole.	N/A	

45° LARGE ANGLE MOUNT

Catalog No.	Description	Length	Dimensions
LED-CHL-45-1200	Extruded angled (45°) channel. Includes snap-on frosted lens with mounting clips and screws.	4'	
LED-CHL-45-1200-EC	(2) End caps for LED-CHL-45 - one solid, one with hole	N/A	
LED-CHL-45-1200-MC	(2) Additional mounting clips for LED-CHL-45-1200	N/A	

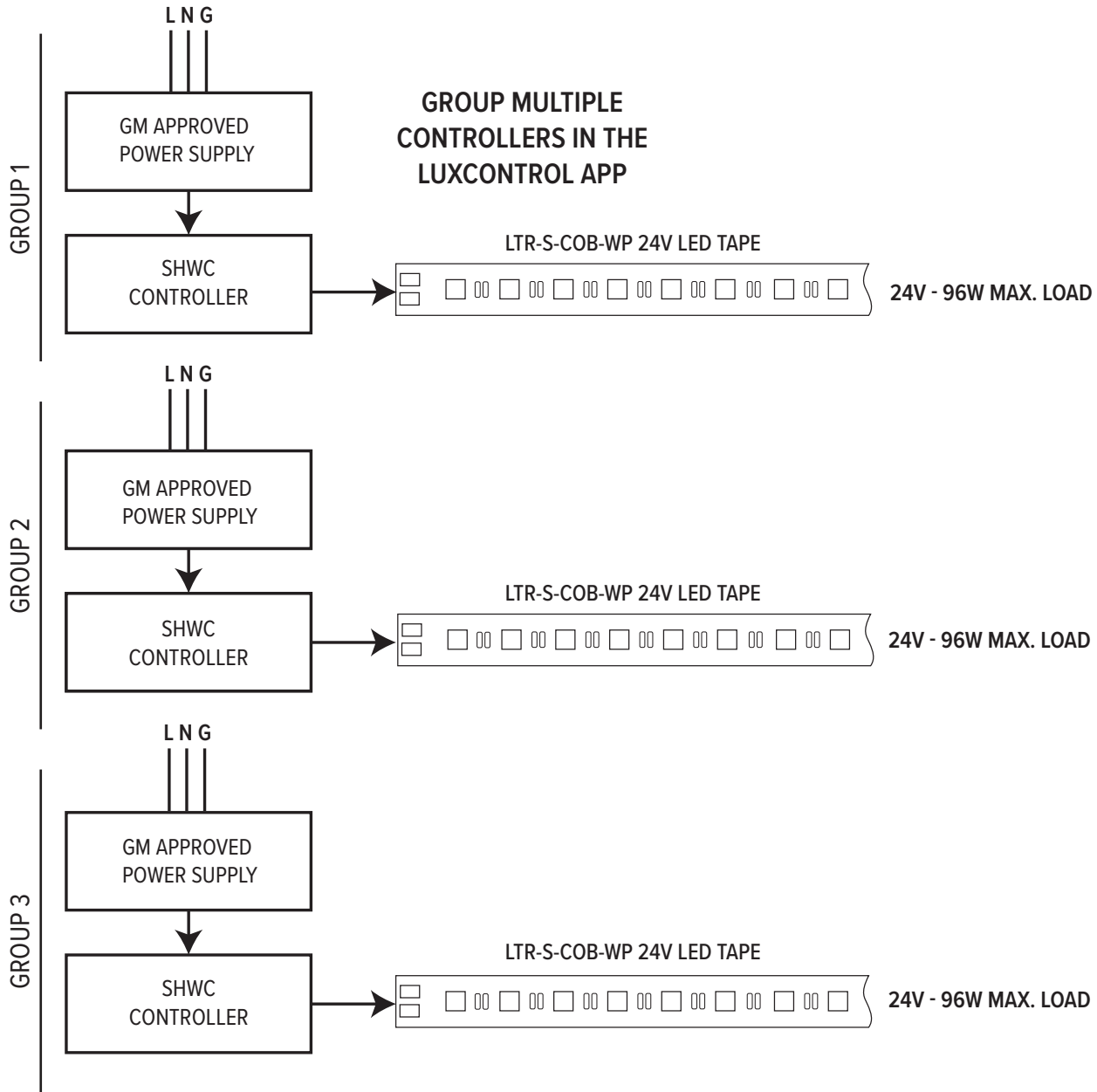
LTR-S Specification Series

1.5W / 3W COB (Chip On Board) Wet Location LED Tape Specification Sheet



SHWC LUXCONTROL WIFI CONTROLLER

NOTE: Power supply **MUST NOT BE DIMMED** at the input to properly power the controls.



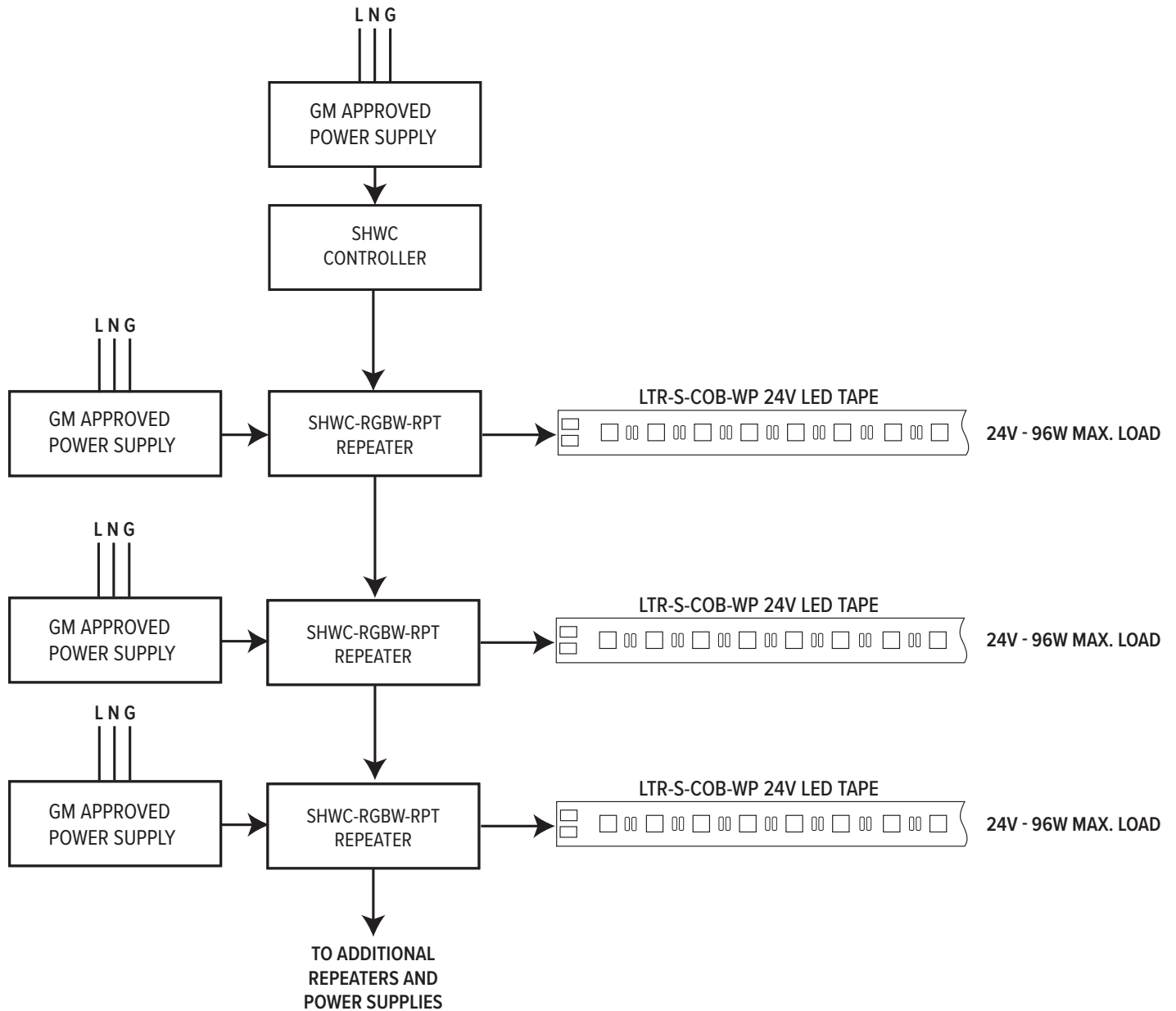
LTR-S Specification Series

1.5W / 3W COB (Chip On Board) Wet Location LED Tape Specification Sheet



SHWC LUXCONTROL WIFI CONTROLLER WITH POWER REPEATER

NOTE: Power supply **MUST NOT BE DIMMED** at the input to properly power the controls.

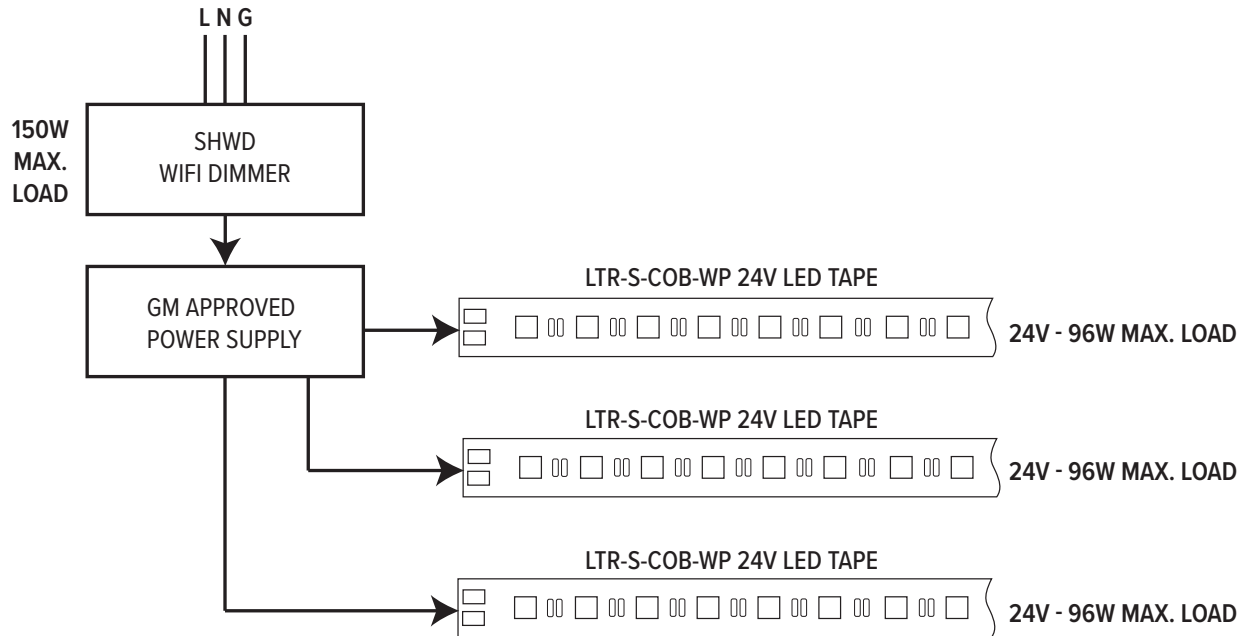


LTR-S Specification Series

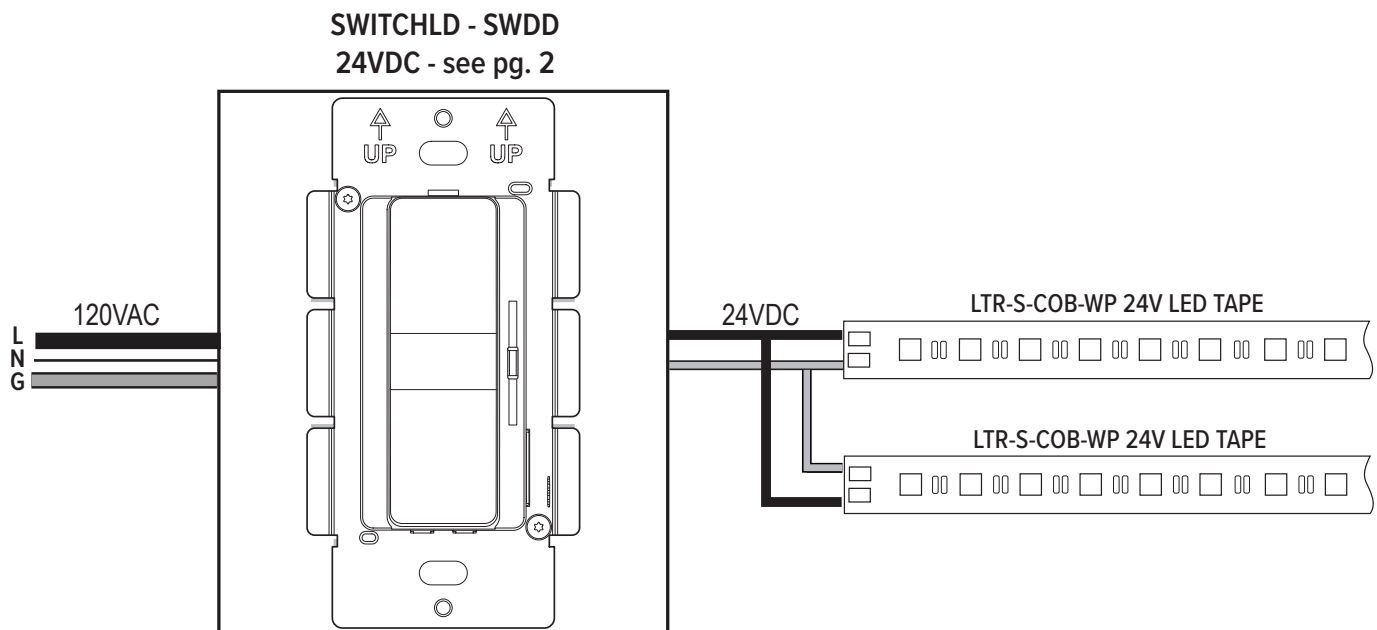
1.5W / 3W COB (Chip On Board) Wet Location LED Tape Specification Sheet



SHWD LUXCONTROL WIFI DIMMER



SWITCHLD SWD DRIVER AND DIMMER



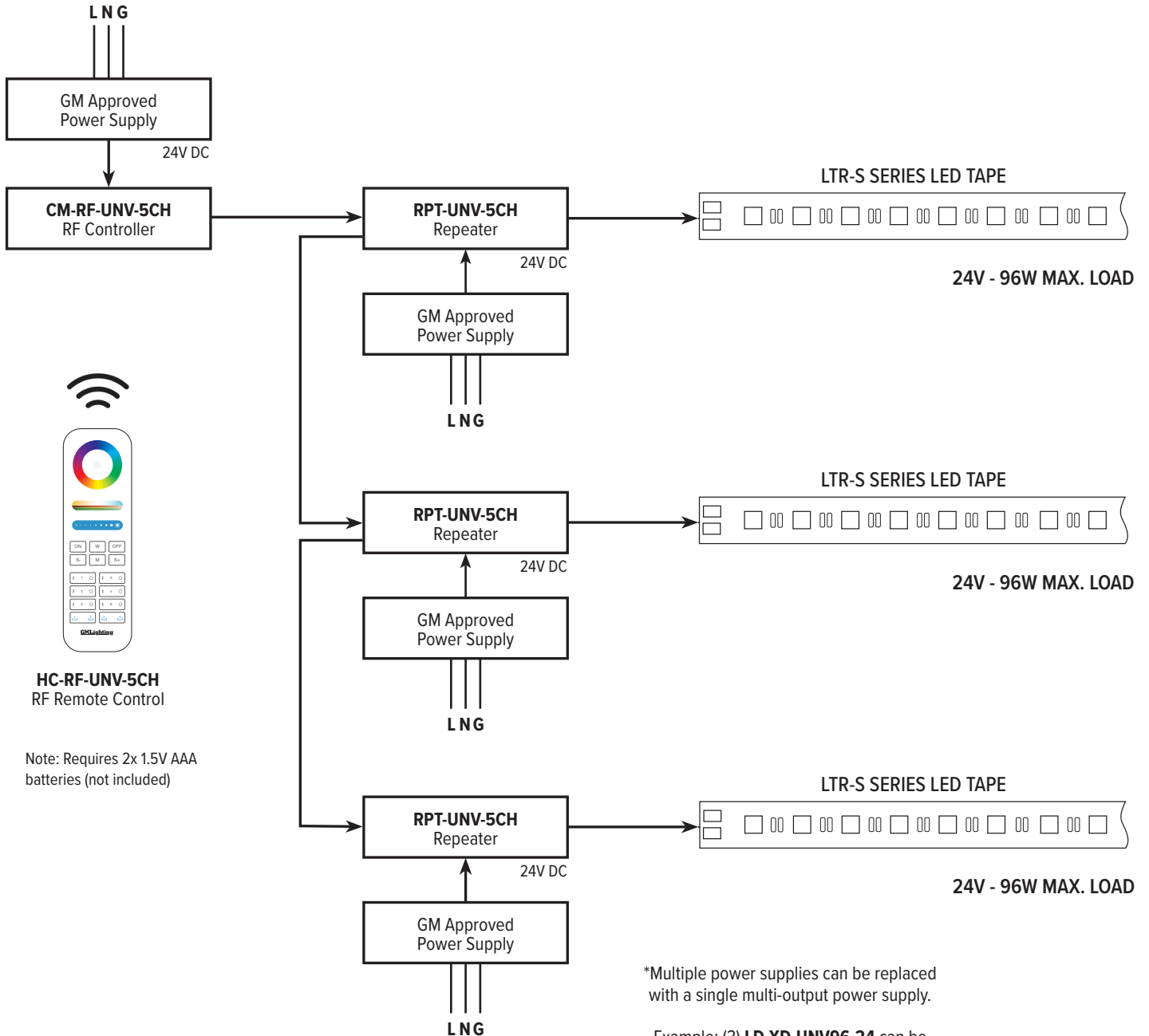
LTR-S Specification Series

1.5W / 3W COB (Chip On Board) Wet Location LED Tape Specification Sheet



RF CONTROLLER

Incoming power for (L N G) options can be 120V or 277V.
 Check power supply for proper input voltage and output power required.
 Power Supply output voltage must match LED operating voltage. (24VDC)
 Power supply used **MUST NOT BE DIMMED** at the input to properly power the controls.
 See Controller instructions for pairing and wiring details.



*Multiple power supplies can be replaced with a single multi-output power supply.

Example: (3) **LD-XD-UNV96-24** can be replaced by (1) **LD-XD-UNV300-24**

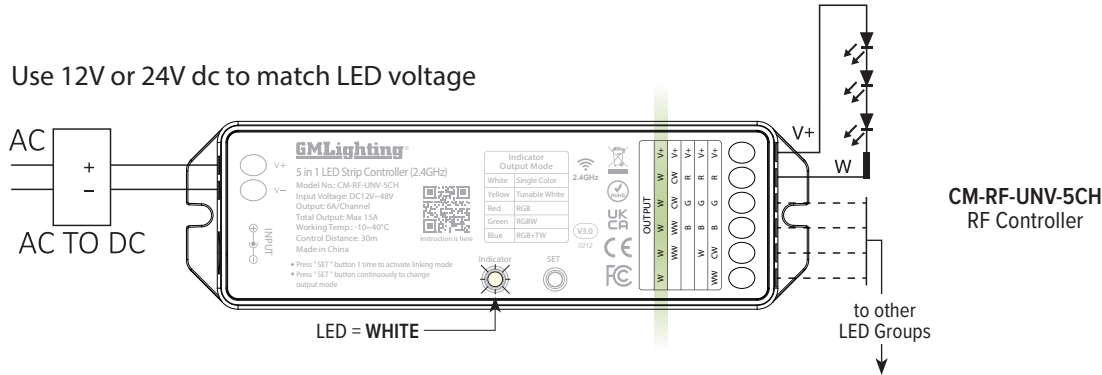
LTR-S Specification Series

1.5W / 3W COB (Chip On Board) Wet Location LED Tape Specification Sheet



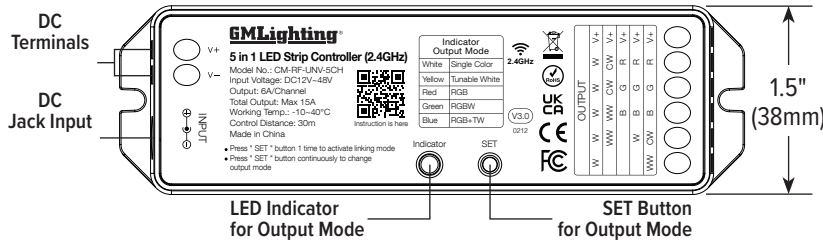
RF REMOTE CONTROLLER AND REPEATER

Use 12V or 24V dc to match LED voltage

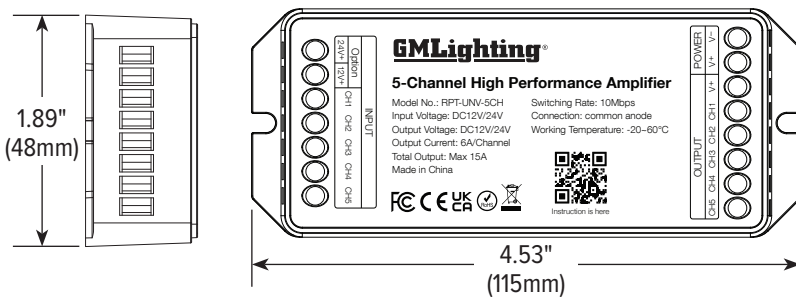
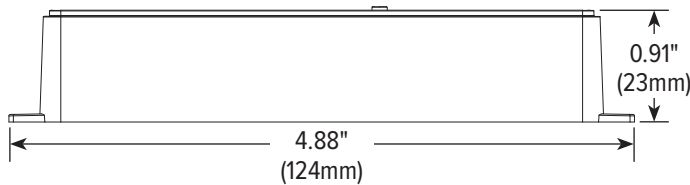


CM-RF-UNV-5CH
RF Controller

DIMENSIONS



CM-RF-UNV-5CH
RF Controller



RPT-UNV-5CH
Repeater Amplifier



LTR-S Specification Series

1.5W / 3W COB (Chip On Board) Wet Location LED Tape Specification Sheet



RF HAND HELD REMOTE FEATURES AND DIMENSIONS

RF Remote Control
HC-RF-UNV-5CH
 with Built-In Effects

