

# LTR-S Specification Series

## 1.5W / 3W COB (Chip On Board) Wet Location LED Tape Specification Sheet

**GM Lighting**®

Project Name	Type
--------------	------

Catalog #	Date
-----------	------

### PRODUCT OVERVIEW

The newest addition in the flexible LED tape is the COBWP (Chip On Board - Wet location) technology. Tightly spaced diodes are encapsulated into a single phosphor strip that provides a seamless linear light display with no LED pixelation. Available in 2700K, 3000K, 3500K and 4000K.

### FEATURES

- 24VDC
- 2700K, 3000K, 3500K and 4000K color temps
- Remote control with GM's LUXcontrol™ App and controllers (Requires NEMA box)
- Suitable for wet locations, IP65
- 156 LEDs per foot
- Cuttable every 2"
- 180° viewing angle
- Dimmable (ELV or MLV or LUXcontrol)
- 3M adhesive back
- Maximum run on a given lead 32'-8"

### SPECIFICATIONS

#### ELECTRICAL

- 24V
- 1.5 / 3 watts per foot

#### OPTICS

- 95+ CRI

#### OPERATING TEMP

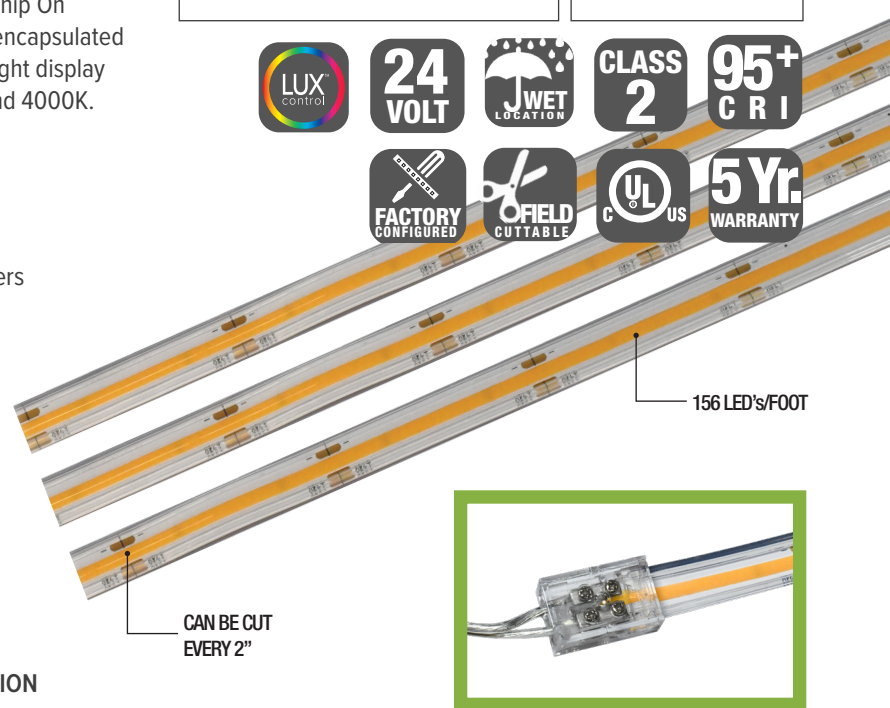
- -4°F to 122°F

#### CERTIFICATION

- UL
- IP65
- Title 24 compliant when used with specific drivers. Consult factory.

#### WARRANTY

- 5-year warranty when paired with GM power supply.



### ORDERING INFORMATION

Example: LTR-S-COBWP-24V-3.0W-27K-FT

Model	Series	Type	Location	Voltage	Wattage/ft	Color Temp	Length
LTR	S	COB	WP	24V	1.5W	27K	FT
						30K	
					3.0W	35K	32
						40K	

NOTE: Compatible with LED-CHL-XD series channels. Reel Length: 32 = 32'-8"; Custom cuts available, consult factory

### ACCESSORIES

Model	Description
LTR-P-WP-TTC-3	3" Tape to tape connector, UV sealed
LTR-P-WP-TTC-6	6" Tape to tape connector, UV sealed
LTR-P-WP-TTC-12	12" Tape to tape connector, UV sealed
LTR-P-WP-TTC-24	24" Tape to tape connector, UV sealed
LTR-P-WP-TPC-12	12 ft. power lead

### Your LED Tape Specification Checklist:

1. Select Tape
2. Select Connectors
3. Select Channels
4. Select Controllers or Dimmers
5. Select Power Supplies

Install Sheet



# LTR-S Specification Series

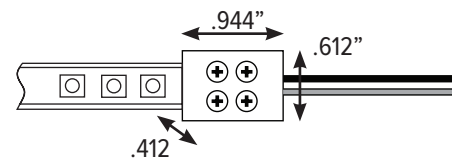
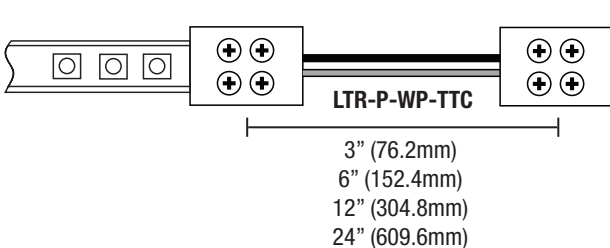
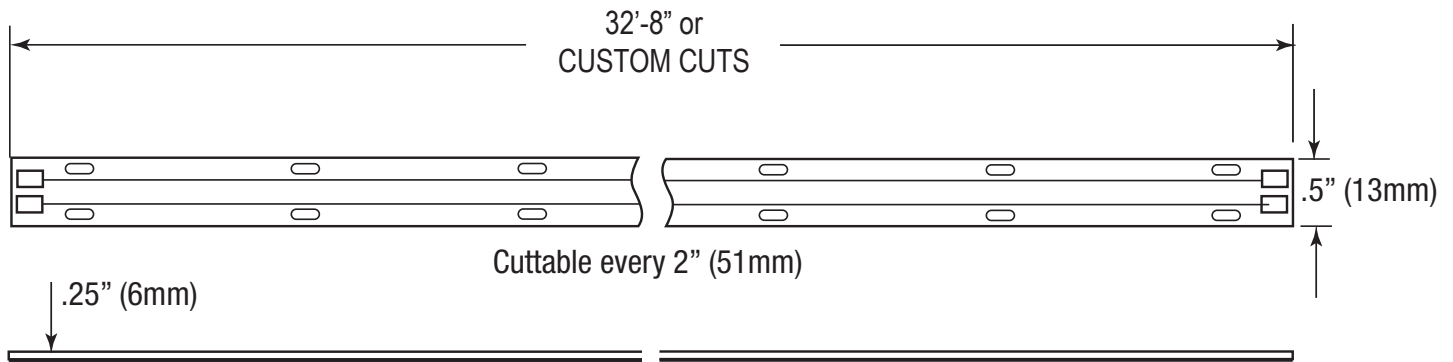
## 1.5W / 3W COB (Chip On Board) Wet Location LED Tape Specification Sheet



Catalog No.	Length	Lumens	CRI	Color Temp.	Max. Run
LTR-S-COBWP-24V-1.5W-27K-FT/-32	32'-8" or, CUSTOM CUT FEET-INCHES (CUTS MADE IN 2" INCREMENTS)	127	95+	2700K	32'-8"
LTR-S-COBWP-24V-1.5W-30K-FT/-32		127	95+	3000K	32'-8"
LTR-S-COBWP-24V-1.5W-35K-FT/-32		127	95+	3500K	32'-8"
LTR-S-COBWP-24V-1.5W-40K-FT/-32		142	95+	4000K	32'-8"
LTR-S-COBWP-24V-3.0W-27K-FT/-32		255	95+	2700K	32'-8"
LTR-S-COBWP-24V-3.0W-30K-FT/-32		265	95+	3000K	32'-8"
LTR-S-COBWP-24V-3.0W-35K-FT/-32		275	95+	3500K	32'-8"
LTR-S-COBWP-24V-3.0W-40K-FT/-32		285	95+	4000K	32'-8"

Includes 48" lead. Custom leads available - consult factory.  
Kelvin temperature (color) ±100K.

### DIMENSIONS



LTR-P-WP  
Wet Location  
Connector

# LTR-S Specification Series

## 1.5W / 3W COB (Chip On Board) Wet Location LED Tape Specification Sheet

### COMPATIBLE CONTROLLERS

Model	Description
SHWC	LUXcontrol Smart 2.4 GHz WiFi Controller, Standard 12V/24V Low Voltage, see page 4-5
SHWD	LUXcontrol Smart 2.4 GHz WiFi Dimmer, Standard 12V/24V Low Voltage, see page 6
SWD-60W-24VDC-DIM	SwitchLD All-in-One Dimmer and Driver, 60W, 24VDC see page 6
SWD-100W-24VDC-DIM	SwitchLD All-in-One Dimmer and Driver, 100W, 24VDC see page 6

Note: For wet location applications, use NEMA box (by others)

### RECOMMENDED DRIVERS

Catalog No.	Description	Watts	Specification Sheet
LD-XD-UNV	LineDrive Electronic Multi-Dimmable Power Supply, 12VDC or 24VDC	20W, 40W, 60W, 96W, 180W, 200W, 300W	<a href="#">View Spec Sheet</a>
LD-E-UNV	LineDrive Electronic Non-Dimmable Power Supply, 12VDC or 24VDC	30W, 60W, 96W, 200W, 300W	<a href="#">View Spec Sheet</a>
LD-MD-UNV	LineDrive Magnetic Dimmable Power Supply, 12VDC or 24VDC	30W, 60W, 96W, 150W, 200W, 300W	<a href="#">View Spec Sheet</a>
LD-EDM	LineDrive Electronic Dimmable MINI Power Supply, 12VDC or 24VDC	60W	<a href="#">View Spec Sheet</a>
LTP	Cord and Plug Power Supply, 12VDC or 24VDC	25W, 48W, 60W, 90W	<a href="#">View Spec Sheet</a>
PSD	Electronic Dimmable Power Supply, 12VDC or 24VDC	15W, 24W, 60W, 90W	<a href="#">View Spec Sheet</a>

Please see our website for updated power supply specifications and information.

### COMPATIBLE CHANNELS - (fit connectors on pg. 1)

#### EXTRA DEEP

Catalog No.	Description	Length	Dimensions
LED-CHL-XD	Extra deep format extruded channel. Includes snap-on frosted lens with mounting clips and screws.	4'	
LED-CHL-XD-8	Extra deep format extruded channel. Includes snap-on frosted lens with mounting clips and screws.	8'	
LED-CHL-XD-AMC	(2) Adjustable mounting brackets for LED-CHL-XD	N/A	
LED-CHL-XD-EC	(2) End caps for LED-CHL-XD. One solid, one with hole.	N/A	
LED-CHL-XD-MC	(2) Mounting clips and screws for LED-CHL-XD	N/A	

#### EXTRA DEEP FLANGED

LED-CHL-XD-F	Extra deep format extruded channel with flange. Includes snap-on frosted lens with mounting clips and screws.	4'	
LED-CHL-XD-F-8	Extra deep format extruded channel with flange. Includes snap-on frosted lens with mounting clips and screws.	8'	
LED-CHL-XD-F-DC	(2) Drywall mounting brackets for LED-CHL-XD-F	N/A	
LED-CHL-XD-F-EC	(2) End caps for LED-CHL-XD-F. One solid, one with hole.	N/A	

#### 45° LARGE ANGLE MOUNT

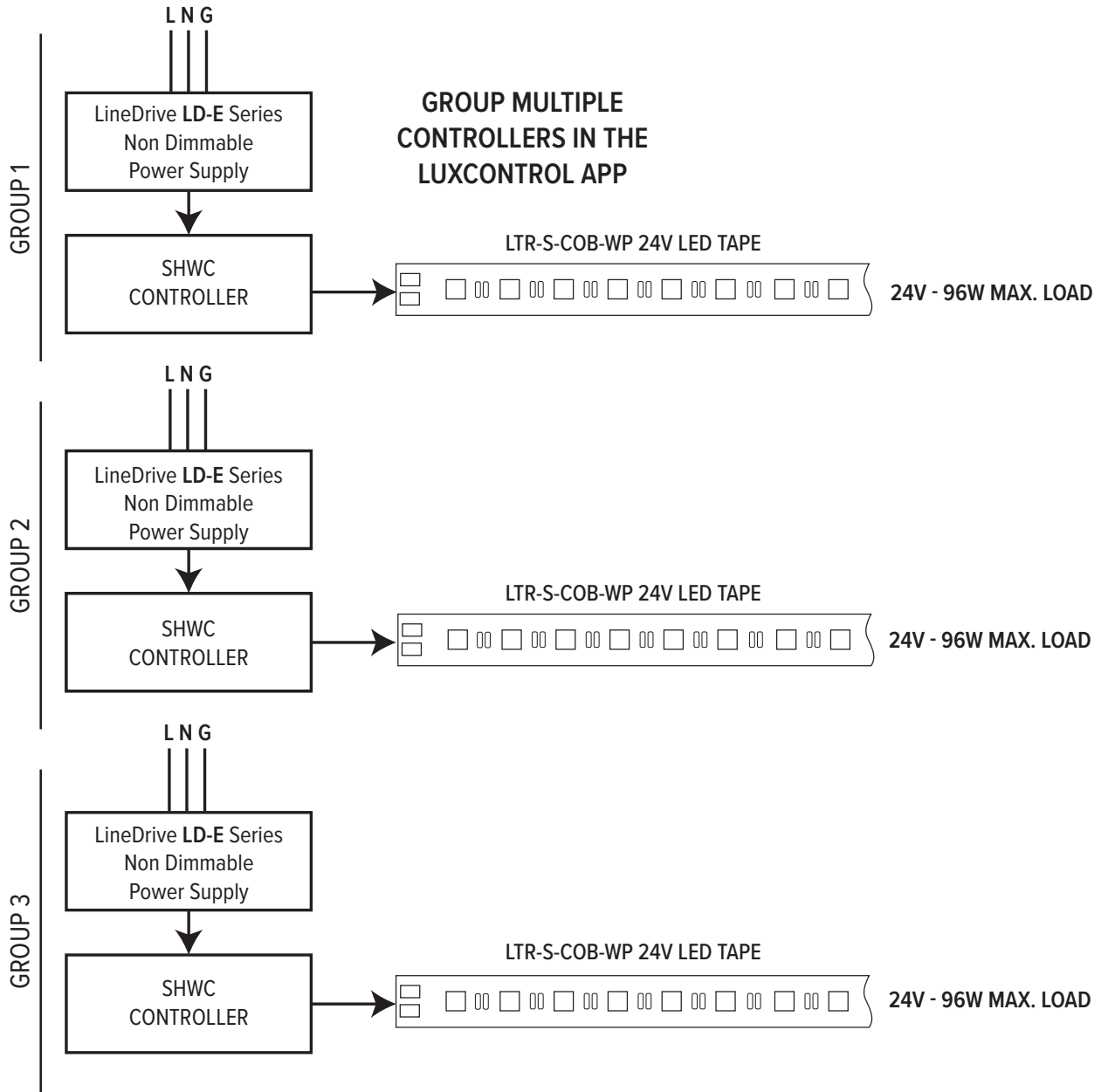
LED-CHL-45-1200	Extruded angled (45°) channel. Includes snap-on frosted lens with mounting clips and screws.	4'	
LED-CHL-45-1200-EC	(2) End caps for LED-CHL-45 - one solid, one with hole	N/A	
LED-CHL-45-1200-MC	(2) Additional mounting clips for LED-CHL-45-1200	N/A	

# LTR-S Specification Series

## 1.5W / 3W COB (Chip On Board) Wet Location LED Tape Specification Sheet



### SHWC LUXCONTROL WIFI CONTROLLER

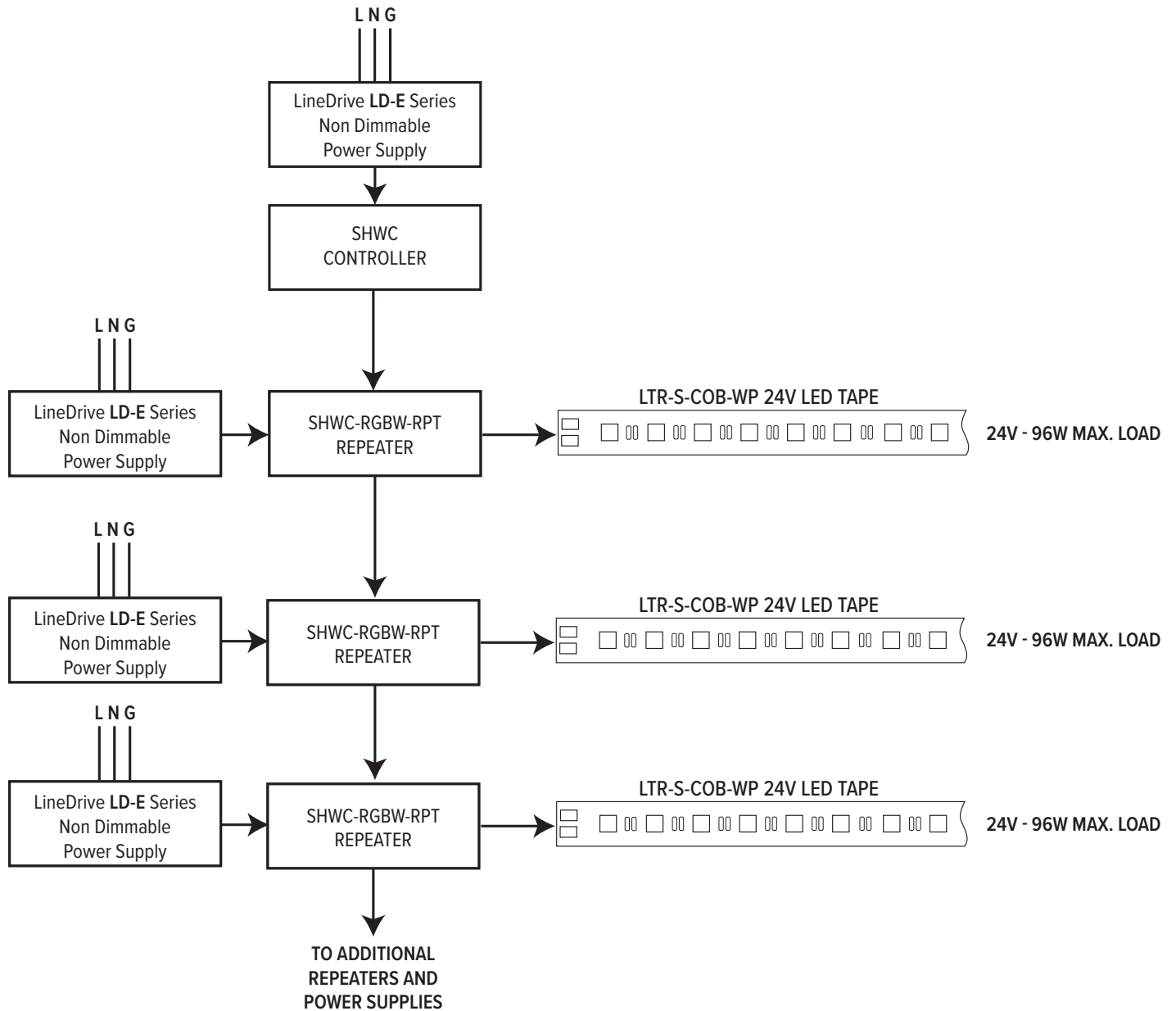


# LTR-S Specification Series

## 1.5W / 3W COB (Chip On Board) Wet Location LED Tape Specification Sheet



### SHWC LUXCONTROL WIFI CONTROLLER WITH POWER REPEATER

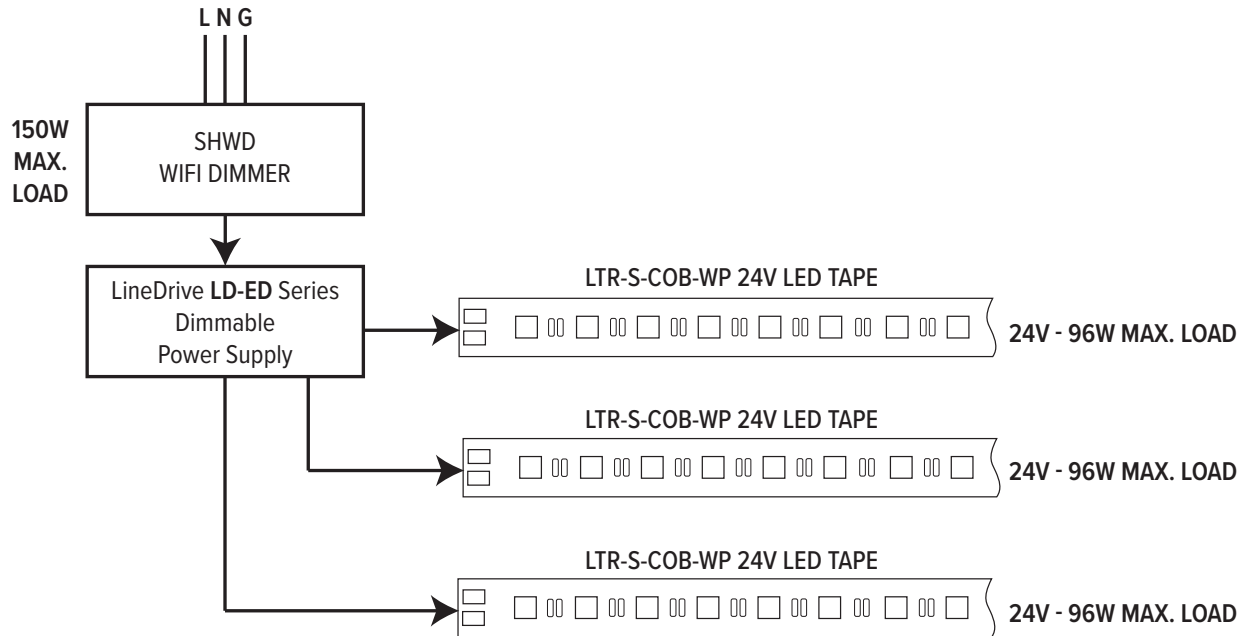


# LTR-S Specification Series

## 1.5W / 3W COB (Chip On Board) Wet Location LED Tape Specification Sheet



### SHWD LUXCONTROL WIFI DIMMER



### SWITCHLD SWD DRIVER AND DIMMER

