

LED Tape Mud-In Aluminum Cove Channel and Accessories

Project Name	Type
--------------	------

Catalog #	Date
-----------	------



PRODUCT OVERVIEW

An extruded dual aluminum channel designed especially for indoor / dry location mud-in cove installations. Available in 6' lengths, the curved striated aluminum mud-in frame that runs the length of the mounting channel enables easy mudding. Includes an integral mounting channel and snap-on frosted lens to reduce diode glare and pixelation.

FITS FOLLOWING LEDtask™

- LTR-E Economy Series
- LTR-P Professional Series Dry Location
- LTR-S Specification Series
- LTR-S COB (Chip On Board)
- LTR-S-DTW (Dim to Warm)
- LTR-S-SV (Side View)
- LTR-S-TW (Twist Task)
- LTR-S RGBW

OPTICS

- Frosted Lens (provided)

USAGE

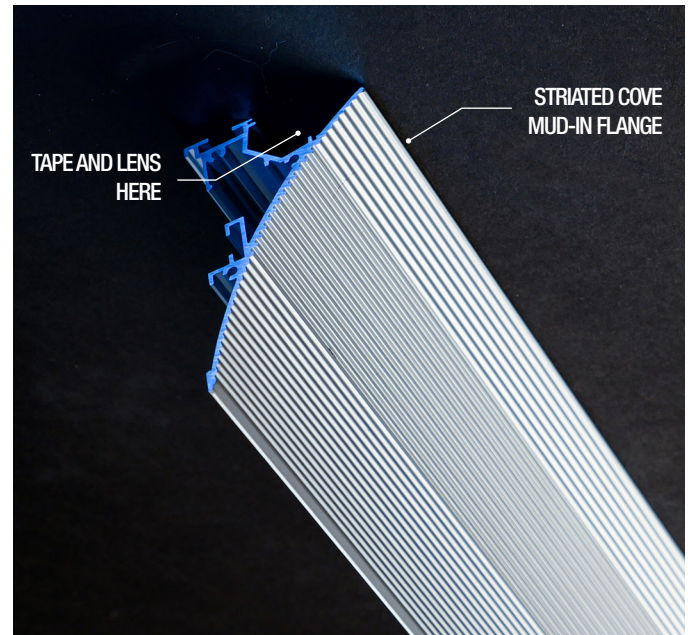
- Dry location

ACCESSORIES

- End caps

CONNECTORS

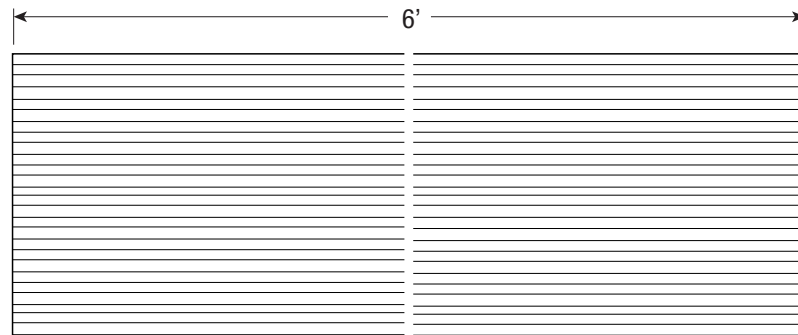
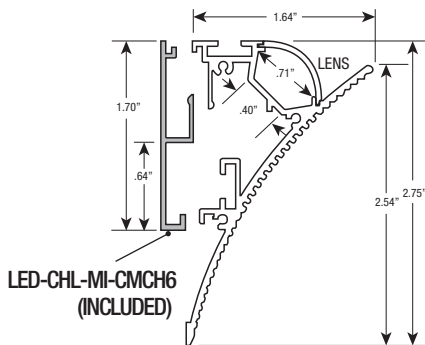
Soldered leads only.



SPECIFICATIONS

CONSTRUCTION

- 6' Extruded Aluminum and Lensed Cove Channel with mounting channel included



ORDERING INFORMATION

Model	Type	Format	Length
LED-CHL-MI-C6	MI	C (Cove)	6 (6')

Example: LED-CHL-MI-C6

Product Video



▶ SCAN ME

ACCESSORY

Catalog No.	Description
LED-CHL-MI-CEC	(2) End Caps for LED-CHL-MI-C6 one with hole, one solid.
LED-CHL-MI-CMCH6	Mounting Channel included. See diagram above.

NOTE: Minimum order: 4 - Less than minimum order is subject to shipping charges.