

GridTask Ceiling Grid

120V-277V LED Lighting System



PRODUCT OVERVIEW

What's new in ceiling lighting? How about illumination from the grid, and not the panel? GM Lighting's GridTask 120V-277V LED Illuminated Grid System is a dimmable, low profile (1/2") lighting system available in two grid types: 9/16" and 15/16" that provides for a lensed linear light source integral to a ceiling grid. Configure linear lines or patterns.

FEATURES

- 3500K, 4000K
- 0-10 dimming - DIVA-DTV (Lutron), NOVA-NTSTV
- Tool-less installation (no tools required)
- Can be configured for square or rectangular patterns
- 2' (10W) or 4' (20W) grid
- 9/16" and 15/16"
- Low profile - 1/2"
- Fully illuminated corners
- Diode-free illumination
- Frosted lens
- Fixture includes grid
- Suitable for damp location

SPECIFICATIONS

ELECTRICAL

- 120V-277V
- 2' grid rated at 10W
- 4' grid rated at 20W

OPTICS

- 80+ CRI
- 120° beam spread
- 1300 lumens (TGB-2)
- 2600 lumens (TGB-4)

CERTIFICATION

- UL compliant

WARRANTY

- 5-year when paired with GM power supply

Project Name	Type
--------------	------

Catalog #	Date
-----------	------



NOTE: NOT COMPATIBLE WITH ALL CEILING GRID SYSTEMS. CHECK FACTORY FOR COMPATIBILITY.



GridTask Product & Installation Video



ORDERING INFORMATION

Example: TGB-2-35-G2

Model	Length	Color Temp	Grid
TGB	2 (ft.)	35 (3500K)	G1 (15/16")
TGB	2 (ft.)	40 (4000K)	G1 (15/16")
TGB	2 (ft.)	35 (3500K)	G2 (9/16")
TGB	2 (ft.)	40 (4000K)	G2 (9/16")
TGB	4 (ft.)	35 (3500K)	G1 (15/16")
TGB	4 (ft.)	40 (4000K)	G1 (15/16")
TGB	4 (ft.)	35 (3500K)	G2 (9/16")
TGB	4 (ft.)	40 (4000K)	G2 (9/16")

GridTask can replace selected cross tees of the grid ceiling suspension system. Operating temp.: -4° - 130°F.

POWER SUPPLIES

Catalog No.	Description
TGB-2-PS-30	2 ft. 30W Power Supply. Max. 3 bars
TGB-C-EXT-12	T-Grid Linear Bar w/ 12' Back CAT5 Cable Extender
TGB-4-PS-60	4 ft. 60W Power Supply Max. 3 bars

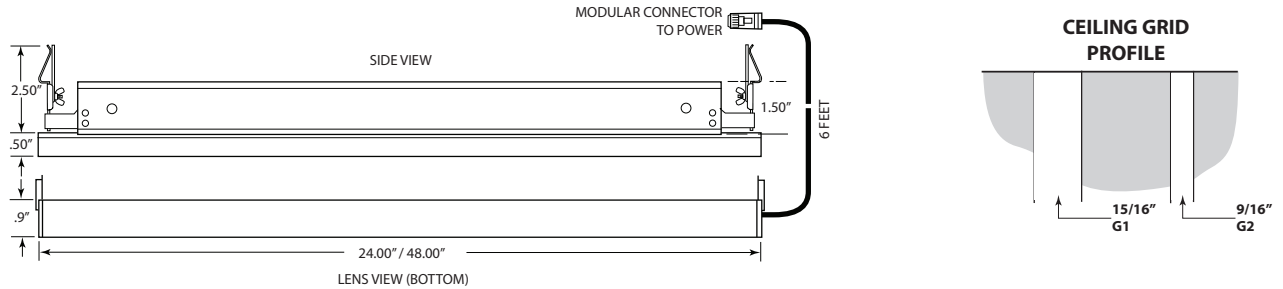


GridTask Ceiling Grid

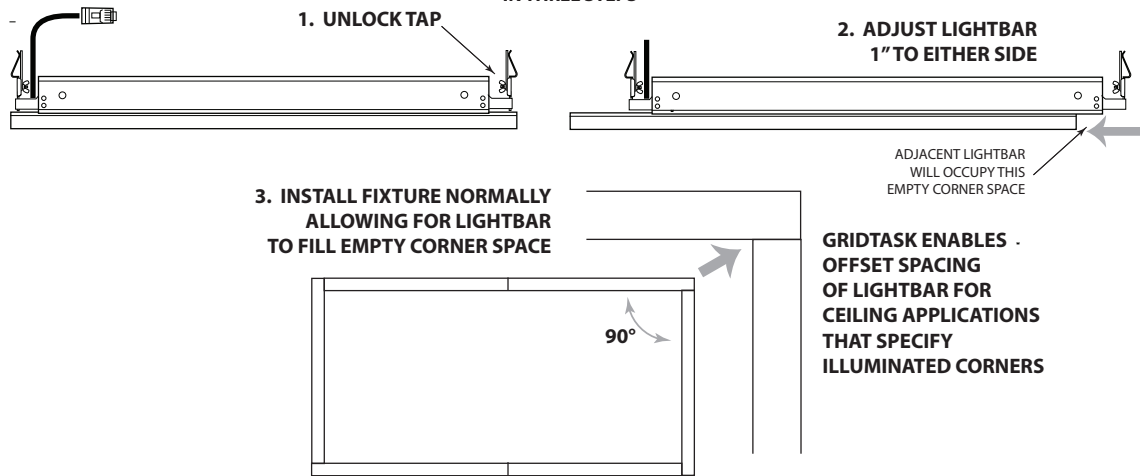
120V-277V
LED Lighting System



DIAGRAMS



HOW TO ACHIEVE FULLY LIT CORNERS IN THREE STEPS



This application requires additional support from above ceiling.

