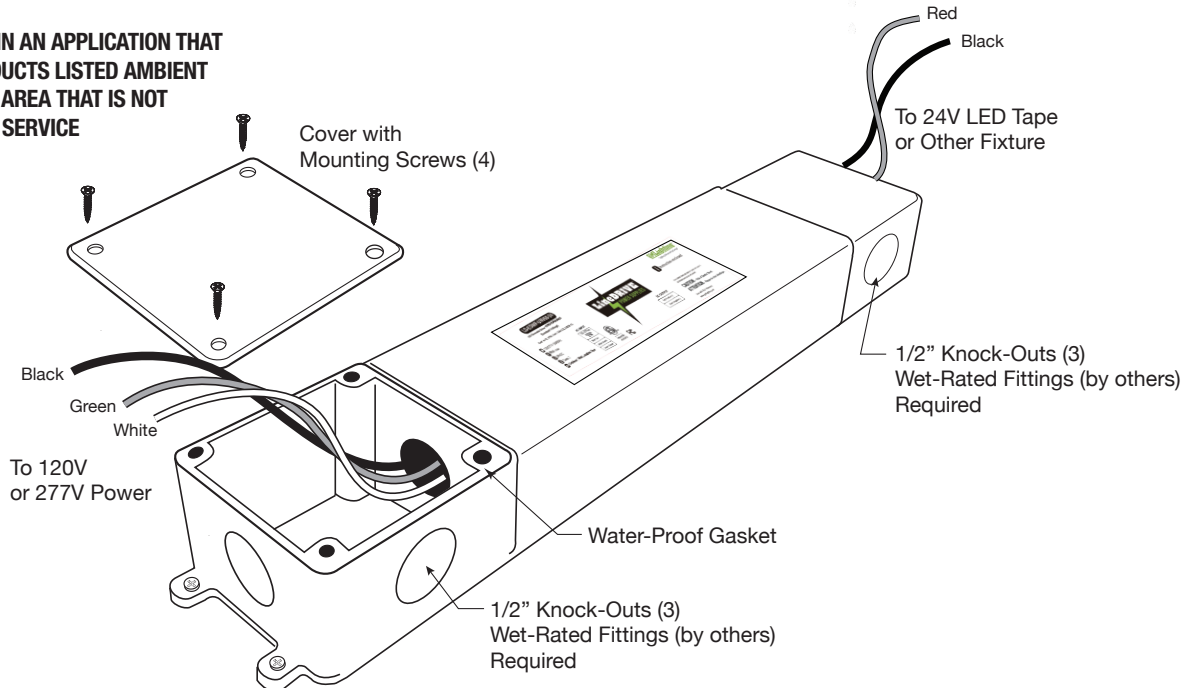


### BEFORE YOU START:

- Please check local electrical codes before beginning
- Turn power off before installing
- Make sure to use properly rated wire



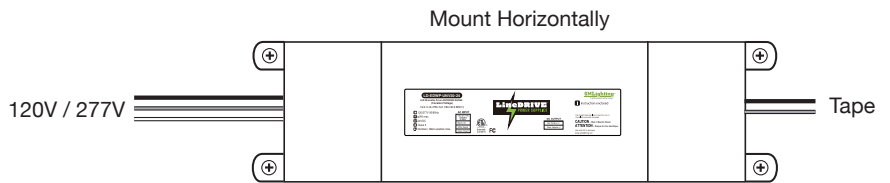
**NOTE: DO NOT INSTALL IN AN APPLICATION THAT IS OUTSIDE OF THE PRODUCTS LISTED AMBIENT TEMPERATURE OR IN AN AREA THAT IS NOT EASILY ACCESSIBLE FOR SERVICE REQUIREMENTS.**



**THIS IS A WET LOCATION POWER SUPPLY. DO NOT SUBMERGE IN WATER.**

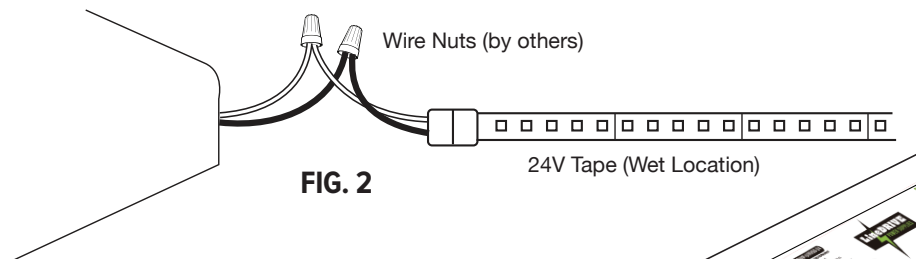
**REFER TO DIAGRAMS AT RIGHT FOR COMPONENT IDENTIFICATION AND PROPER MOUNTING AND CONNECTING TO 24V LIGHTING FIXTURES.**

**1. MOUNTING.** Remove Knock-Outs and use wet-rated fittings (by others). Mount LD-EDWP Power Supply Horizontally, a minimum of 12" from the ground. **(FIG. 1)**



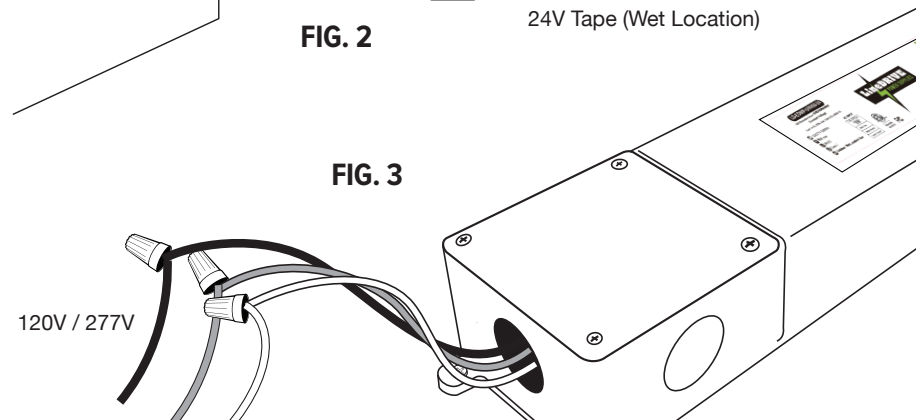
**FIG. 1**

**2. CONNECTING TO 24V LED TAPE OR OTHER 24V FIXTURES.** Connect Red and Black leads coming from power supply to Red and Black leads coming from tape. Use wire nuts (by others) or GM Lighting SureTite™ connectors to insure a reliable connection. **(FIG. 2).**



**FIG. 2**

**3. CONNECTING TO LINE VOLTAGE.** Use white for hot, black for negative and green for ground to connect power supply to 120V/277V power. **(FIG. 3).**



**FIG. 3**

**MOUNT TAPE OR FIXTURES ACCORDING TO MANUFACTURERS SPECIFICATIONS.**