

# Vision120 DMX Decoder

## 120V RGBW, 4-Channel SPECIFICATION SHEET



Project Name	Type
--------------	------

Catalog #	Date
-----------	------

### PRODUCT OVERVIEW

Our Vision120 DMX Decoder supports DMX512/RDM signal for bi-directional communication while achieving remote management of reading and writing DMX address. Equipped with 100% to 1% dimming and other lighting effects. For Vision120 RGBW LED tape.



### FEATURES

- 4-channels / 120VAC
- Works with Vision120 RGBW
- Dimming Range: 100% to 1% dimming
- User-friendly digital display
- DMX address settable from 1 to 512
- Self-testing
- Wet location - IP67



V120-RGBW-DMX



RGBW-DMX-WC (sold separately)

### SPECIFICATIONS

#### ELECTRICAL

- Input Signal: DMX512/RDM
- Input Voltage: 110-240VAC
- Max. 6A Current Load
- Up to 720W Max. Output Power (4 x 180W per channel)

#### OPERATING TEMP

- -4 to 122°F (-20 to +50°C)

#### CERTIFICATION

- FCC, CE, RoHS, IP67

#### WARRANTY

- 3-year warranty

### ORDERING INFORMATION

Model	Description
V120-RGBW-DMX	DMX995 V120RGBW Decoder 1.5A x 4CH 6A

Note: Includes 5x wire splice connectors and plugs

### ACCESSORIES

Model	Description
RGBW-DMX-WC*	RGBW DMX512 Wall Controller
SJTW-2W	SJTW-2W wire / per ft.
SJTW-3W	SJTW-3W wire / per ft.
SJTW-5W	SJTW-5W wire / per ft.

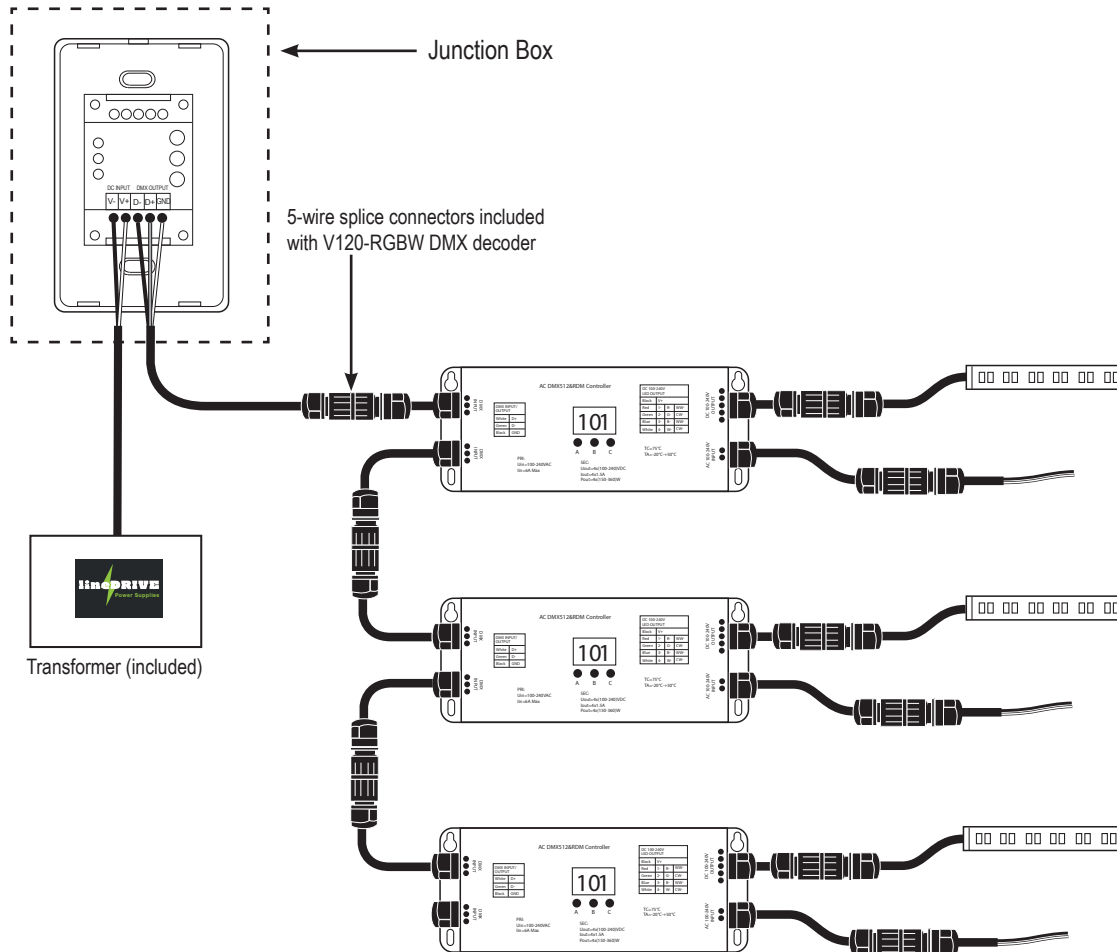
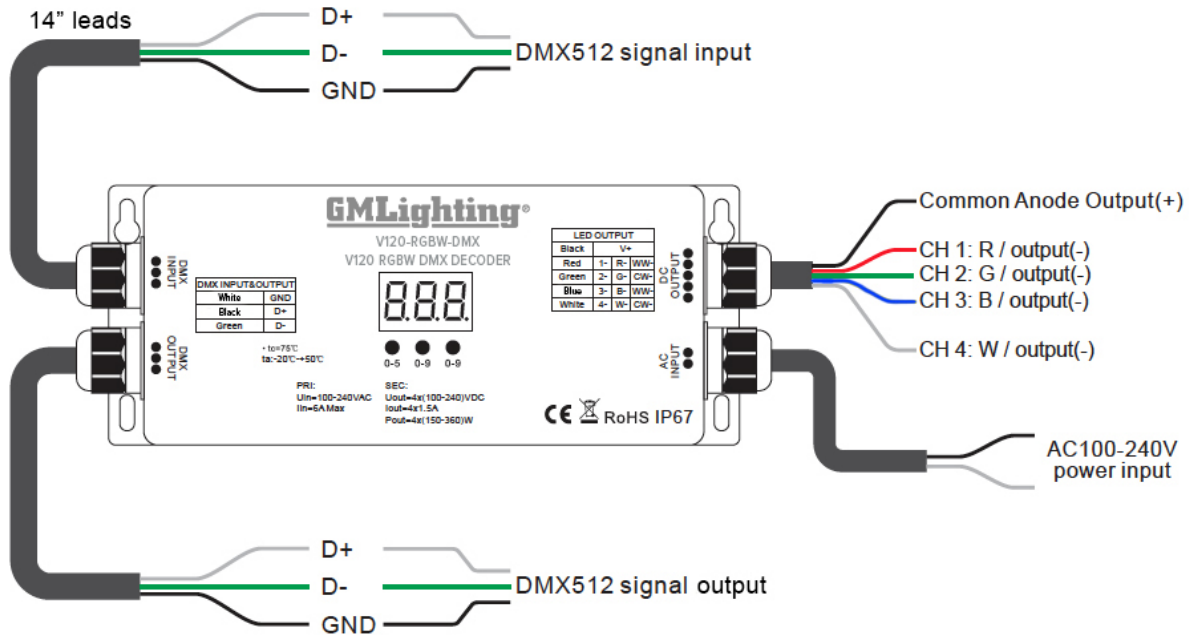
Note: Includes 1x Class2 Driver (12V, 8W max.) to power wall switch from direct 120V

# Vision120 DMX Decoder

## 120V RGBW, 4-Channel SPECIFICATION SHEET



### WIRING DIAGRAMS



# Vision120 DMX Decoder

120V RGBW, 4-Channel  
SPECIFICATION SHEET



## DIMENSIONS

