

S9 Series

120VAC Surface Mount Wet Location Title 24 Compliant Downlight

GM Lighting®

Project Name	Type
--------------	------

Catalog #	Date
-----------	------

PRODUCT OVERVIEW

A 9-1/2" diameter circular surface mount downlight. Constructed of a high quality aluminum body with translucent white polycarbonate difuser lens for low glare. This wet location fixture maintains uniform intensity at up to 2100 lumens. Mounts to standard fixture box.



FEATURES

- Dimmable (Triac)
- 9-1/2" dia. x 1-3/8" depth (round trim)
- Powder coated metal housing with white opal diffuser
- Controllable via LUXcontrol™ dimmer
- Wet location (ceiling mount only)
- Not intended for outdoor use
- Operating temp. -4°F - 122°F*

SPECIFICATIONS

ELECTRICAL

- 120V
- 27W

LABEL

- ETL
- Title 24 - JA8
- Energy Star

OPTICS

- 2700K, 3000K, 4000K
- 90+ CRI

WARRANTY

- 5 years



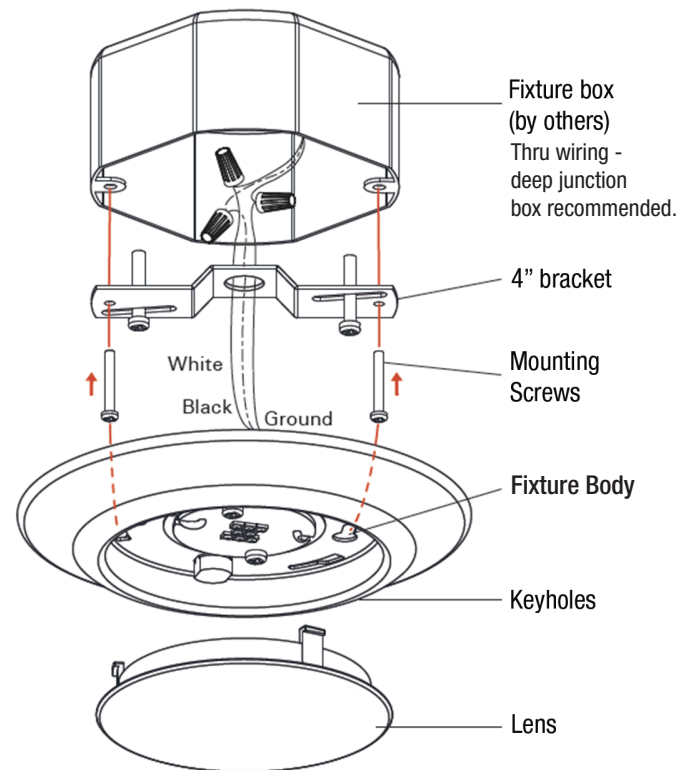
* Do not install in an application that is outside of the products listed ambient temperature and in an area that is not easily accessed for service requirements.

Ordering Example:

S9-3090-WH

ORDERING INFORMATION

	-		-	
Model	-	Color Temp.	-	Finish
S9		2790 (2700K)		WH (WHITE)
		3090 (3000K)		
		4090 (4000K)		



S9 Series

120VAC Surface Mount Wet Location Title 24 Compliant Downlight



Catalog No.	Recess Depth	Trim Diameter	Wattage	Lumens	CRI	Color Temp.
S9-2790-WH	1-3/8"	9-1/2"	27W	1800	90+	2700K
S9-3090-WH				2000		3000K
S9-4090-WH				2100		4000K

PRODUCT DIAGRAM

