

MICROTASK MINI

IC RATED ROUND AND SQUARE RECESSED LED DOWNLIGHT SPECIFICATION SHEET



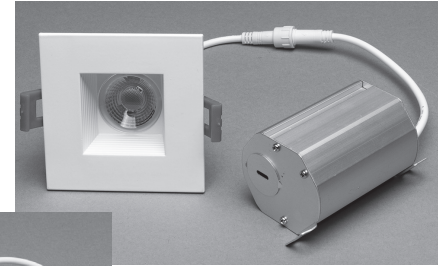
Project Name	Type
Catalog #	Date

PRODUCT OVERVIEW

Excellent color rendition and high lumens in a 3" mini, IC rated, damp location, round and square trim downlight that features an inline junction box connected by a modular twist connector. Perfect for any application. Available in 2700K or 3000K color temp. White semi-gloss finish.

FEATURES

- 120VAC
- 2700K, 3000K
- Dimmable (Triac)
- 38° beam spread
- 3-3/8" dia. x 1-1/2" depth (round trim)
- 3-1/2" square x 2-1/2" depth (square trim)
- 90+ CRI
- IC rated
- In-line junction box connected by 12" TwistLock cable
- Snap-in spring clips installation
- Title 24 and Energy Star
- Suitable for damp location
- 5 year warranty



CUT-OUT DIMENSIONS: 2.75"

SPECIFICATIONS

KEY FEATURES

- 120V
- 3-3/8" trim diameter (round), 3-1/8" x 3-1/8" (square)
- 2-1/2" recess depth
- Dimmable
- Up to 550 lumens
- 90+ CRI
- IC rated (ceiling clearance required: 2-1/2" for Romex, 3-1/2" for MC or BX installations)
- No visible glare

KEY FEATURES CONTINUED

- Die-cast construction
- Quick and easy installation
- In-line junction box connected by 12" TwistLock cable
- Snap-in spring clips installation
- Ambient Operating Temp: -4F to 113F

ELECTRICAL

- 8W
- OPTICS
- 2700K, 3000K

CERTIFICATION

- ETL
- Title 24
- Energy Star

WARRANTY

- 5 year warranty

ORDERING INFORMATION

Example: MDL-3AR-27-WH

Catalog No.	Trim Shape	Trim Dimensions	Wattage	Lumens	Color Temp.	CRI	Finish
MDL-3R-27-WH	Round	3-3/8" dia. x 1-1/2" depth	8W	545	2700K	90+	White
MDL-3R-30-WH	Round	3-3/8" dia. x 1-1/2" depth	8W	550	3000K	90+	White
MDL-3S-27-WH	Square	3-1/2" SQ. x 2-1/2" depth	8W	550	2700K	90+	White
MDL-3S-30-WH	Square	3-1/2" SQ. x 2-1/2" depth	8W	560	3000K	90+	White
MDL-3AR-27-WH	Round	3-3/8" dia. x 1-1/2" depth	8W	545	2700K	90+	White
MDL-3AR-30-WH	Round	3-3/8" dia. x 1-1/2" depth	8W	550	3000K	90+	White

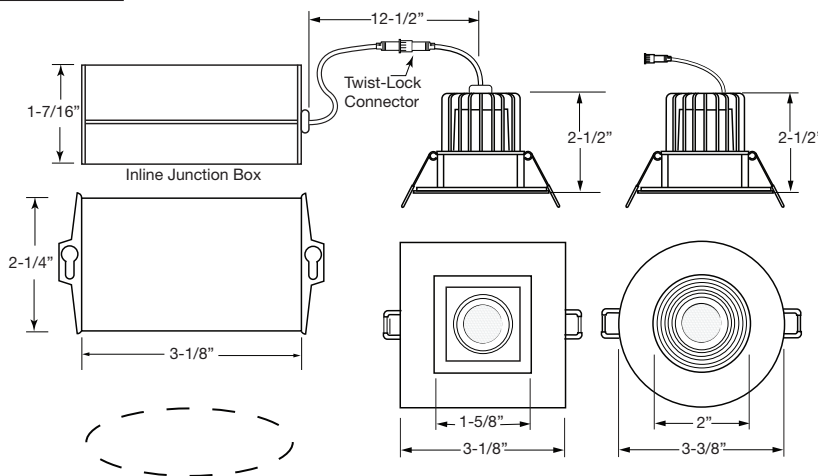
MICROTASK MINI

IC RATED ROUND AND SQUARE RECESSED LED DOWNLIGHT SPECIFICATION SHEET

ACCESSORIES

Catalog No.	Description
MDL-5ft-EXT	5' extension cord for MDL Series downlights
MDL-10ft-EXT	10' extension cord for MDL Series downlights
MDL-20ft-EXT	20' extension cord for MDL Series downlights
UNV-NCP	Universal mounting plate for new construction

DIMENSION



Note: Ambient operating temp range -4F to 104 F. Do not install in an environment that is outside of the product's listed ambient temp.