

Magnetic Dimmable

12/24VDC LineDRIVE Power Supply

Specification Sheet



Project Name	Type
Catalog #	Date

PRODUCT OVERVIEW

LED dimming magnetic power supply that works with conventional low voltage magnetic wall mount dimmer with on/off switch. 12 or 24 VDC output. 120 or 277 VAC input. Highest efficiency with auto reset. Compatible with standard low voltage magnetic dimmers. Not recommended for digital control systems.



FEATURES

- Multi-tap Class 2
- 120VAC and 277VAC dual input
- Auto-reset protection for short circuit
- NEMA 3R enclosure with built-in junction box
- Fanless design, cooling by free air convection
- Dimmable with compatible MLV dimmers
- Suitable indoor/outdoor wet locations when mounted vertically
- ETL Listed. Conf. to UL2108. Cert. CSA C22.2 No. 250.2
- 5-Year warranty



SPECIFICATIONS

ELECTRICAL

- 12V/24VDC
- 120/277VAC / 60Hz input
- Load: min. 20% to max. 80% for optimal performance

HOUSING

- Black powder coated steel enclosure
- Cooling by free-air convection

ENVIRONMENT

- Outdoor / wet location NEMA 3R enclosure. For vertical mounting only.

OPERATING TEMP

- 0 to 104°F (-18 to +40°C)

CERTIFICATION

- ETL compliant
- Cert. CSA C22.2 No. 250.2
- Class 2

WARRANTY

- 5-year warranty

ORDERING INFORMATION

Example: LD-MD-UNV60

Model	Series	Type	Watts	Voltage
LD	MD	UNV	30	*(Blank)
			60	*(Blank)
			96	24
			150	12
			200	24
			300	24

*LD-MD-UNV30 and LD-MD-UNV60 are dual voltage (12/24VDC)

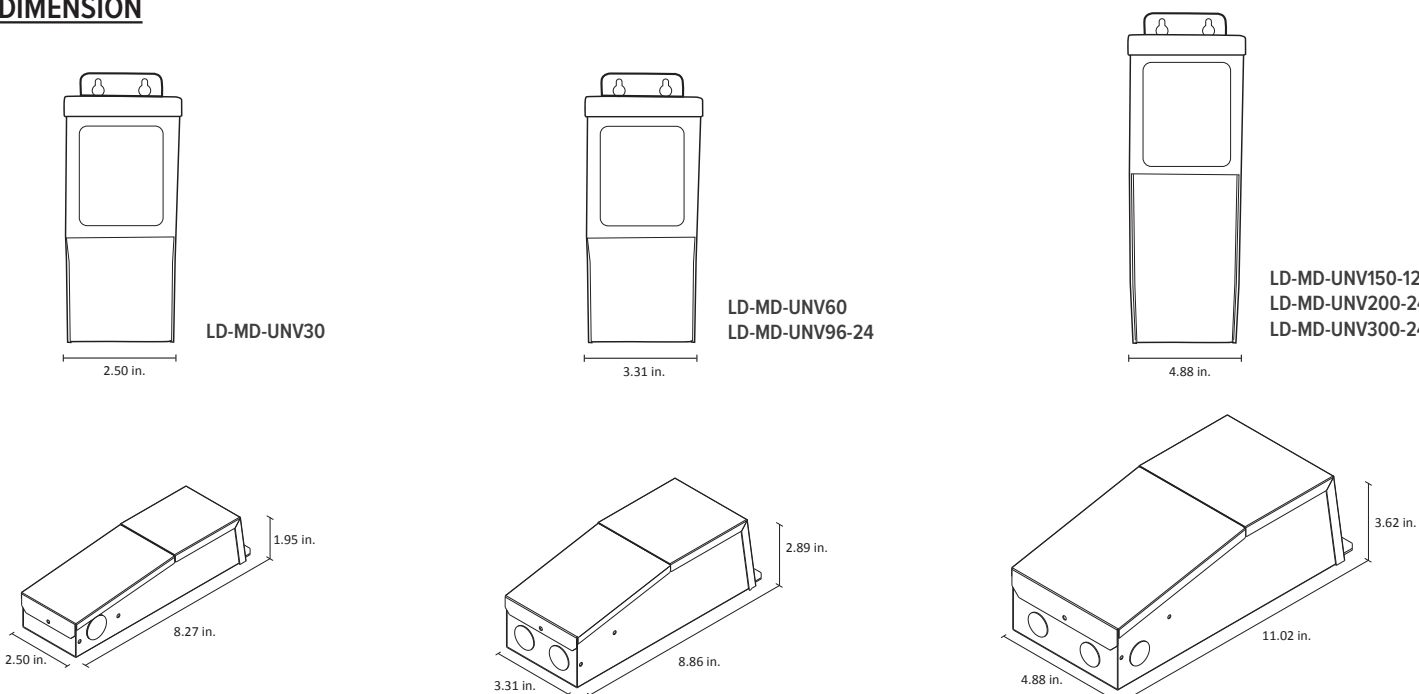
Magnetic Dimmable

12/24VDC LineDRIVE Power Supply

Specification Sheet

	LD-MD-UNV30	LD-MD-UNV60	LD-MD-UNV96-24	LD-MD-UNV150-12	LD-MD-UNV200-24	LD-MD-UNV300-24
Specs	30W / 2.5A@12VDC 1.25A@24VDC	60W / 5A@12VDC 2.50A@24VDC	96W / 4.00A@24VDC	Multi-tap 150W (50W x 3) 4.16A@12VDC	Multi-tap 192W (96W x 2) 4.00A@24VDC	Multi-tap 288W (96W x 3) 4.00A@24VDC
Derated Watts	25.5W	51W	81.6W	127.5W	170W	255W
Class 2 / Non Class 2	Yes / Yes	Yes / Yes	Yes / Yes	Yes / Yes	Yes / Yes	Yes / Yes
Recommended Load	Recommended load: 40% to 85% for optimal performance					
Input Current Full Load	120VAC: 342mA 277VAC: 146mA	120VAC: 663mA 277VAC: 290mA	120VAC: 0.89A 277VAC: 0.39A	120VAC: 1.33A 277VAC: 0.57A	120VAC: 1.71A 277VAC: 0.73A	120VAC: 2.63A 277VAC: 1.15A
Output Full Load	11.8VDC or 23.5VDC	11.3VDC or 23.2VDC	22.6VDC	12.5VDC	22.8VDC	23.8VDC
Open Circuit Output Voltage	14.5VDC & 27.5VDC	12.9VDC & 25.4VDC	25.2VDC	12.9VDC	25.3VDC	26.0VDC
Circuit Protection	Primary auto reset thermal fuse and secondary auto reset	Primary auto reset thermal fuse and secondary auto reset	Primary auto reset thermal fuse and secondary auto reset	Primary auto reset thermal fuse and secondary auto reset	Primary auto reset thermal fuse and secondary auto reset	Primary auto reset thermal fuse and secondary auto reset
Efficiency / Power Factor	82% / 0.92	85% / 0.87	86% / 0.98	93% / 0.98	91% / 0.99	91% / 0.99
Dimensions	8.27 x 2.5 x 1.95 in.	8.86 x 3.31 x 2.89 in.	8.86 x 3.31 x 2.89 in.	11.02 x 4.88 x 3.62 in.	11.02 x 4.88 x 3.62 in.	11.02 x 4.88 x 3.62 in.
Weight	2.4 lbs. (38 oz.)	4.4 lbs. (71 oz.)	5.2 lbs. (82 oz.)	9.1 lbs. (146 oz.)	9.9 lbs. (159 oz.)	10.6 lbs. (169 oz.)

DIMENSION



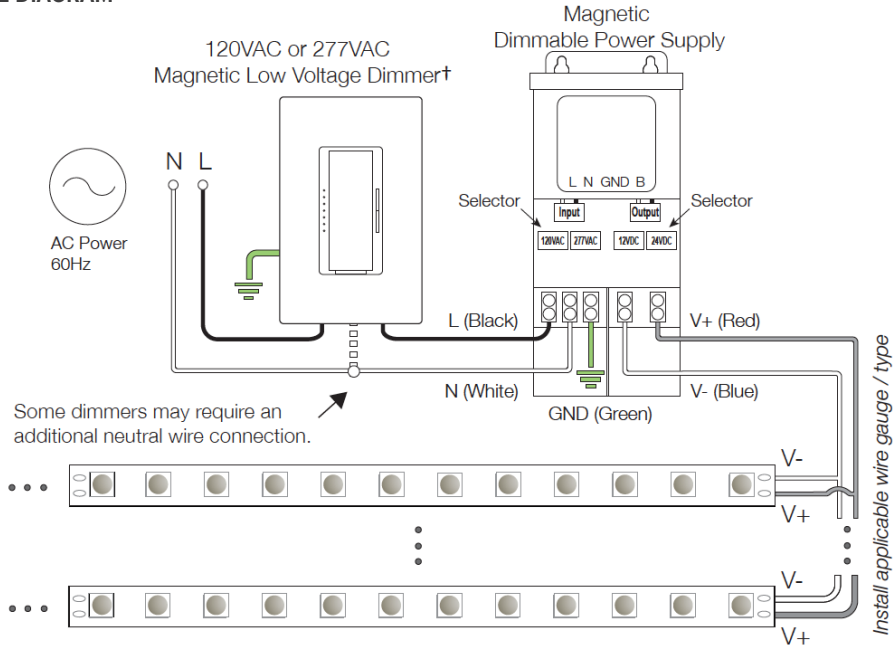
Magnetic Dimmable

12/24VDC LineDRIVE Power Supply

Specification Sheet

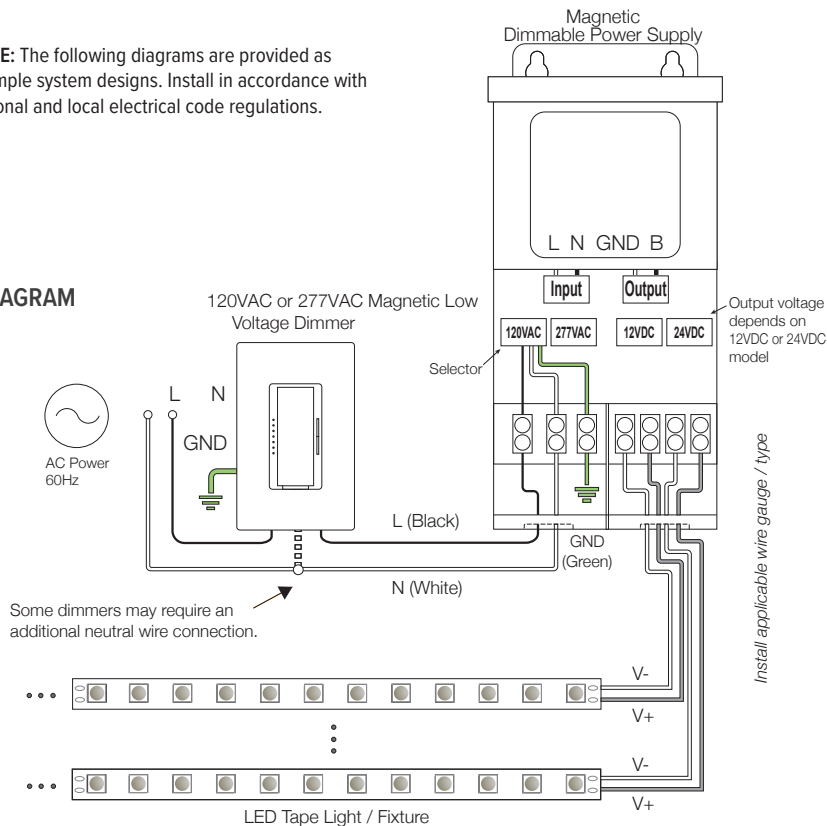
WIRING DIAGRAMS

SINGLE CHANNEL DIAGRAM
30W, 60W, 96W



NOTE: The following diagrams are provided as example system designs. Install in accordance with national and local electrical code regulations.

MULTI CHANNEL DIAGRAM
150W, 200W, 300W



*Connect the male DC plug to either the 12V or 24V female plug depending on your output voltage.

**Connect the male AC plug to either 120VAC or 277VAC female plug depending on your input voltage.