

BEFORE YOU START:

- Please check local Electrical codes before beginning
- Turn power off before installing
- Make sure to use properly rated wire

NOTE: WE RECOMMEND THAT YOU ENGAGE A QUALIFIED AND LICENSED ELECTRICIAN. OPERATING TEMP.: -4° TO 122°F (-20° TO +50°C). DO NOT INSTALL WHERE FIXTURE MAY BE EXPOSED TO DAMPNES OR INCLEMENT WEATHER. DRY LOCATION INSTALLATION ONLY.

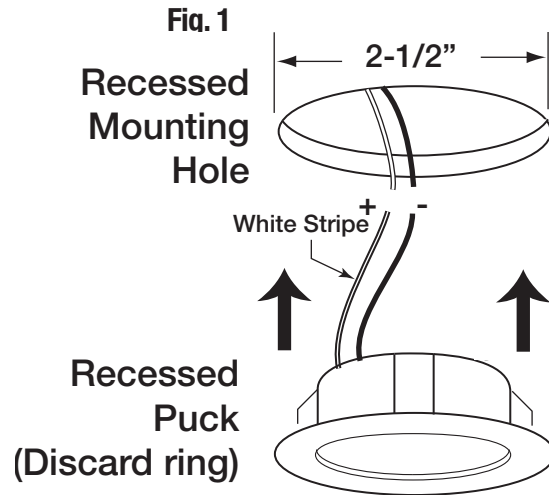
NOTE: DO NOT INSTALL IN ENVIRONMENT THAT IS OUTSIDE THE LISTED AMBIENT TEMPERATURE FOR THIS FIXTURE, AND IN AN AREA THAT IS NOT EASILY ACCESSIBLE FOR SERVICE REQUIREMENTS.

CONSULT DIAGRAMS AND TURN OFF POWER BEFORE INSTALLATION

1. DETERMINE LOCATION. Pucks should be located in areas that take advantage of 120° beam spread. Allow ample room for wiring and mount in close proximity to a 12VDC Class 2 power supply. 5-year warranty is active only when used with a GM Lighting LineDRIVE Power Supply.

RECESSED MOUNTING

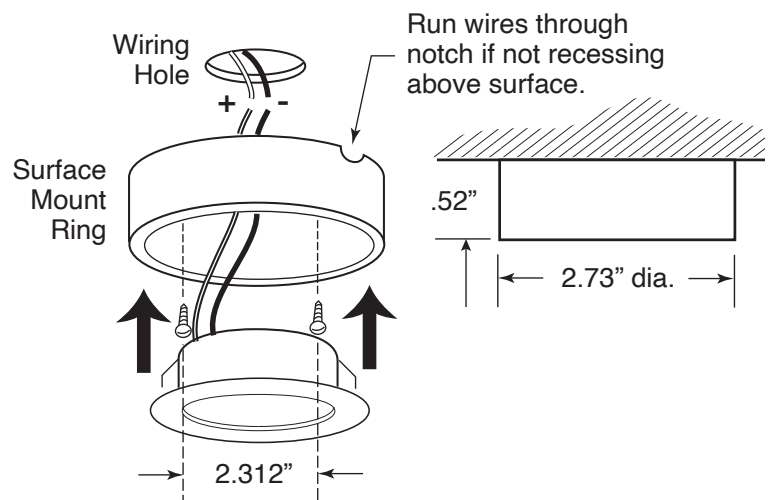
2. DRILL A 2-1/2" HOLE. Remove puck light from surface mounting ring. Push puck light up into hole making sure that springs capture recessed hole. This will insure a good tight fit. (Fig. 1).



SURFACE MOUNTING

3. INSTALL SURFACE MOUNTING RING by first drilling a small hole to push wires up above surface (for hiding wires), or if wires are running on surface, run them through the slot on surface mount ring. With the 2 screws supplied in the desired location making sure that wires are routed through notch cut in surface mounting ring. Push recessed puck light up into surface mounting ring, enable springs to secure a tight fit (Fig. 2).

Fig. 2



WIRING

4. CONSULT WIRING DIAGRAM for wiring instructions: Connect the fixture lead with white stripe to the positive leads on 12VDC power supply. Connect the fixture lead without white stripe to the negative leads on the power supply (Fig. 3).

Use LineDRIVE electronic or magnetic power supplies with 12 VDC output.

Fig. 3

