

24VDC Slim Puck

Surface/Recess Mount LED



PRODUCT OVERVIEW

A 3" (75mm) diameter circular surface (with mounting ring) or recessed (without mounting ring) puck. Constructed of a high quality aluminum body with white polycarbonate diffuser lens for low glare. Available in White, Black, Bronze and Brushed Nickel trim.

Project Name	Type
Catalog #	Date



FEATURES

- 24VDC operation
- 2.2W
- 2700K / 3000K
- Multiple finishes
- Dimmable with ELV drivers
- Surface or recess mount
- Magnetic cover plates
- 5 year warranty when used with GM power supplies
- Ambient Operating Temperature: -4 F to 113 F

SPECIFICATIONS

ELECTRICAL

- 2.2W

OPTICS

- 80+ CRI

CERTIFICATIONS

- ETL listed

WARRANTY

- 5 years



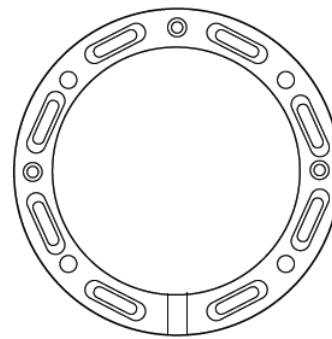
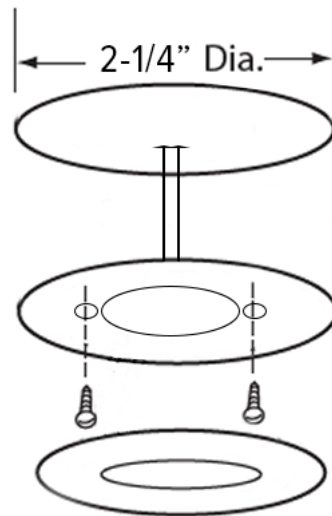
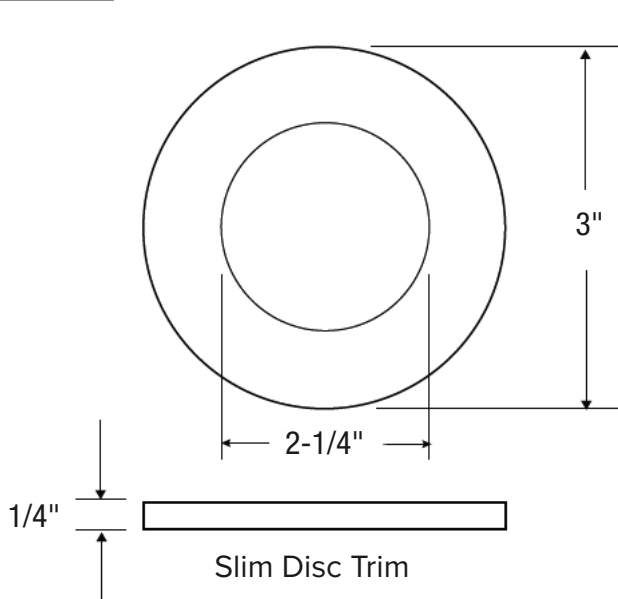
ORDERING INFORMATION

Catalog No.	Dimensions	Wattage	Lumens	CRI	Color Temp	Finish
PL24V-27-W	3" dia. x 1/4" depth	2.2W	180	80+	2700K	White
PL24V-27-B	3" dia. x 1/4" depth	2.2W	171	80+	2700K	Black
PL24V-27-BZ	3" dia. x 1/4" depth	2.2W	173	80+	2700K	Bronze
PL24V-27-BNK	3" dia. x 1/4" depth	2.2W	176	80+	2700K	Brushed Nickel
PL24V-30-W	3" dia. x 1/4" depth	2.2W	179	80+	3000K	White
PL24V-30-B	3" dia. x 1/4" depth	2.2W	170	80+	3000K	Black
PL24V-30-BZ	3" dia. x 1/4" depth	2.2W	173	80+	3000K	Bronze
PL24V-30-BNK	3" dia. x 1/4" depth	2.2W	176	80+	3000K	Brushed Nickel

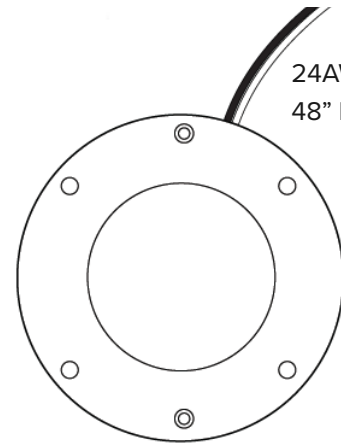
24VDC Slim Puck

Surface/Recess Mount LED

DIMENSIONS



Surface Mount Ring



Lamp Holder Ring

Note: Follow driver specifications for recommendations on minimum loading. Limit maximum loading to 80% of full driver output for best operation. LD-MD (magnetic power supplies) and LD-EDM series are not compatible with this fixture.

See driver specification for compatible dimmers.