

# 12VDC Slim Puck

## Surface/Recess Mount LED



### PRODUCT OVERVIEW

A 3" (75mm) diameter circular surface (with mounting ring) or recessed (without mounting ring) puck. Constructed of a high quality aluminum body with white polycarbonate diffuser lens for low glare. Available in White, Black, Bronze and Brushed Nickel trim.

### FEATURES

- 12VDC operation
- 2.2W
- 2700K / 3000K / 4000K
- Multiple finishes
- Dimmable
- Surface or recess mount
- Magnetic cover plates
- Remote power supply required\*
- 5 year warranty when used with GM power supplies
- Ambient Operating Temperature: -4 F to 113 F

### SPECIFICATIONS

#### ELECTRICAL

- 2.2W

#### OPTICS

- 80+ CRI

#### CERTIFICATIONS

- ETL listed

#### WARRANTY

- 5 years

Project Name	Type
Catalog #	Date



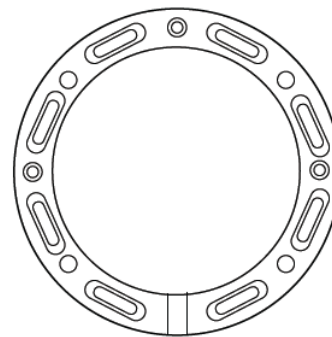
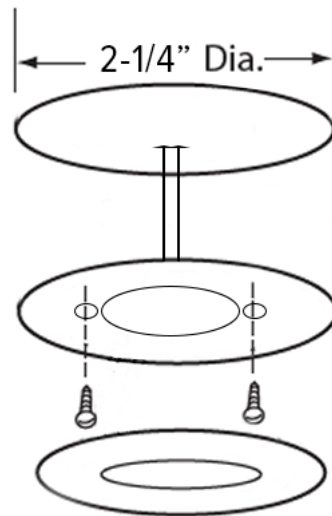
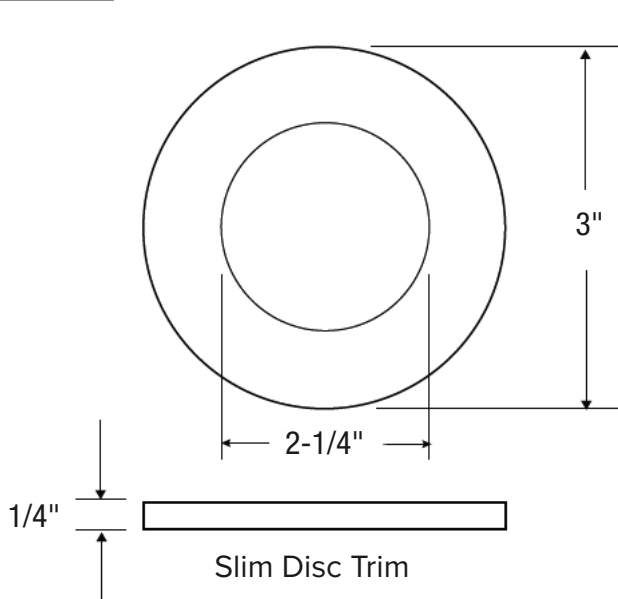
### ORDERING INFORMATION

Catalog No.	Dimensions	Wattage	Lumens	CRI	Color Temp	Finish
SP-2-27-W	3" dia. x 1/4" depth	2.2W	178	80+	2700K	White
SP-2-27-B	3" dia. x 1/4" depth	2.2W	168	80+	2700K	Black
SP-2-27-BZ	3" dia. x 1/4" depth	2.2W	174	80+	2700K	Bronze
SP-2-27-BNK	3" dia. x 1/4" depth	2.2W	176	80+	2700K	Brushed Nickel
SP-2-30-W	3" dia. x 1/4" depth	2.2W	176	80+	3000K	White
SP-2-30-B	3" dia. x 1/4" depth	2.2W	168	80+	3000K	Black
SP-2-30-BZ	3" dia. x 1/4" depth	2.2W	168	80+	3000K	Bronze
SP-2-30-BNK	3" dia. x 1/4" depth	2.2W	173	80+	3000K	Brushed Nickel
SP-2-40-W	3" dia. x 1/4" depth	2.2W	177	80+	4000K	White
SP-2-40-B	3" dia. x 1/4" depth	2.2W	171	80+	4000K	Black
SP-2-40-BZ	3" dia. x 1/4" depth	2.2W	173	80+	4000K	Bronze
SP-2-40-BNK	3" dia. x 1/4" depth	2.2W	176	80+	4000K	Brushed Nickel

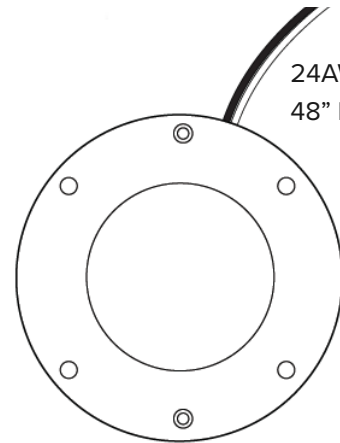
# 12VDC Slim Puck

## Surface/Recess Mount LED

### DIMENSIONS



Surface Mount Ring



Lamp Holder Ring

**Note:** Follow driver specifications for recommendations on minimum loading. Limit maximum loading to 80% of full driver output for best operation. LD-MD (magnetic power supplies) and LD-EDM series are not compatible with this fixture.

See driver specification for compatible dimmers.