

Project Name	Type
Catalog #	Date

### PRODUCT OVERVIEW

Our SHWC power repeater is designed to expand power output and enable LED controllers to control more fixtures. The power repeater can receive PWM signal from controller and transfer it to multiple runs.



### FEATURES

- Works with SHWC controllers
- 12 to 24VDC input
- 5A per channel
- Ability to add more power
- Can control an unlimited number of repeaters
- Parallel connection
- Multiple repeaters can be connected together for longer runs
- Recommended for indoor use
- 3 year warranty



### SPECIFICATIONS

#### ELECTRICAL

- 12 to 24 VDC input
- 20A max. load current, 5A per channel
- 240W max. power @ 12V
- 400W max. power @ 24V
- 4 channels / 5-wire

#### OPERATING TEMP

- -4 to 122°F (-20 to +50°C)

#### CERTIFICATION

- FCC compliant

#### HOUSING

- Black plastic enclosure

#### WARRANTY

- 3-year warranty



### ORDERING INFORMATION

Example: SHWC-ROBN-RPT

Model	Description
SHWC-ROBN-RPT	Universal Smart Power Repeater

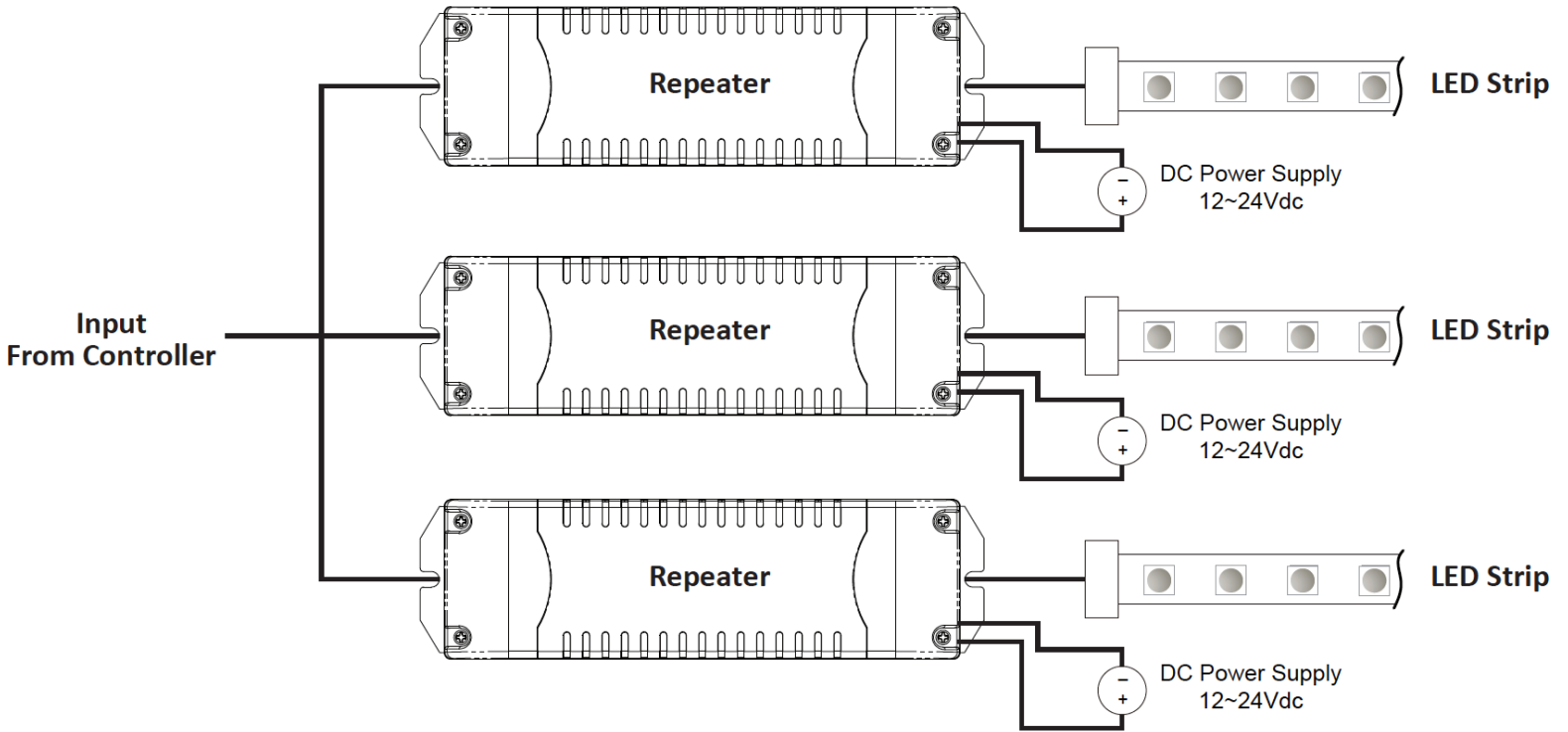


WIRING DIAGRAM

**Multi Repeater Connection**

**240W max. power @ 12V**

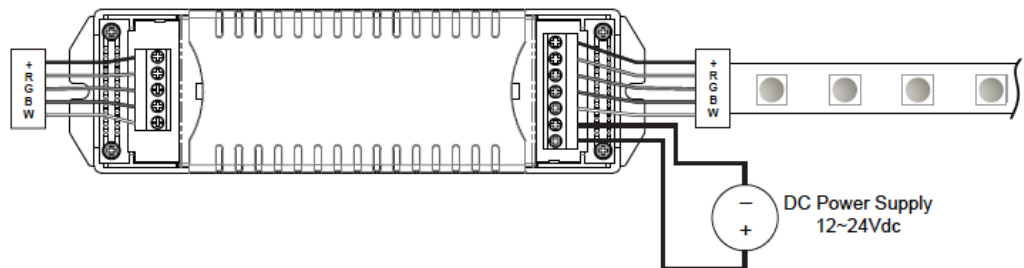
**400W max. power @ 24V**



**RGBW connection (4 channels)**

**SHWC-RGBW**

Input signal from Controller

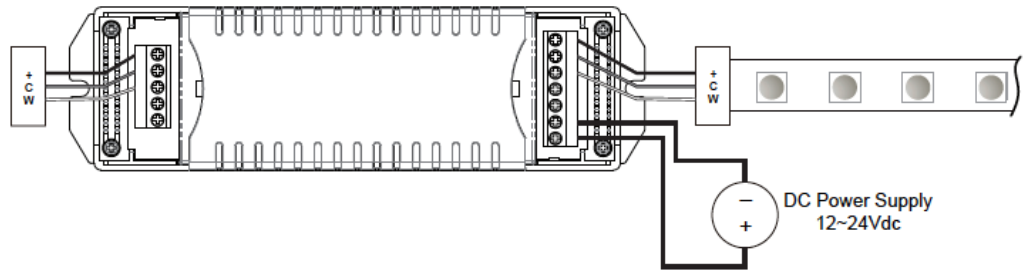


### WIRING DIAGRAM

Dual color connection (CCT, 2 channels)

**SHWC-CCT**

Input signal from Controller



Single color connection (1 channel)

**SHWC**

Input signal from Controller

