

Electronic Dimmable 12/24VDC LineDRIVE Power Supply Specification Sheet

Project Name	Type
Catalog #	Date

PRODUCT OVERVIEW

LineDRIVE Series 12VDC / 24VDC Electronic LED Power Supplies are Class 2 rated and are designed to work with standard ELV/Incandescent TRIAC (leading edge) dimmer switch. Encased in a low profile light weight aluminum enclosure that includes multiple knock-outs to enable easy installation.



FEATURES

- Output constant voltage
- Dimmable - ELV/Incandescent TRIAC
- 120V / 277V input
- Class 2 or Non Class 2
- Strong compatibility, flicker-free dimming
- Over current protection
- Short circuit protection
- FCC compliant
- 5 year warranty



SPECIFICATIONS

ELECTRICAL

- 12V/24VDC
- 120/277VAC
- Load: min. 40% to max. 85% for optimal performance

HOUSING

- Black powder coated aluminum enclosure
- Cooling by free-air convection

ENVIRONMENT

- Storage in a dry location

OPERATING TEMP

- -13 to 104°F (-25 to +40°C)

CERTIFICATION

- ETL compliant
- Cert. CSA C22.2 No. 250.2
- Class 2

PROTECTION

- Hiccup mode, recover automatically after fault condition is removed

WARRANTY

- 5-year warranty

ORDERING INFORMATION

Example: LD-ED-UNV60-12

Model	Series	Type	Watts	Voltage
LD	ED	UNV	20	12
			40	24
			60	
			96	
			*150	
			*200	
			*300	

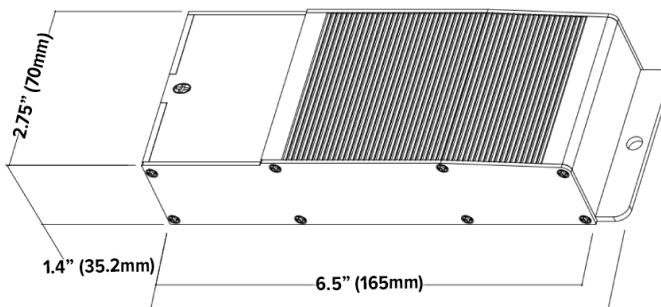
*LD-ED-UNV150 is 12VDC only, LD-ED-UNV200 and LD-ED-UNV300 are 24VDC only
Note: 150W = 3x50W / 200 = 2x96W / 300=3x96W

Electronic Dimmable 12/24VDC LineDRIVE Power Supply Specification Sheet

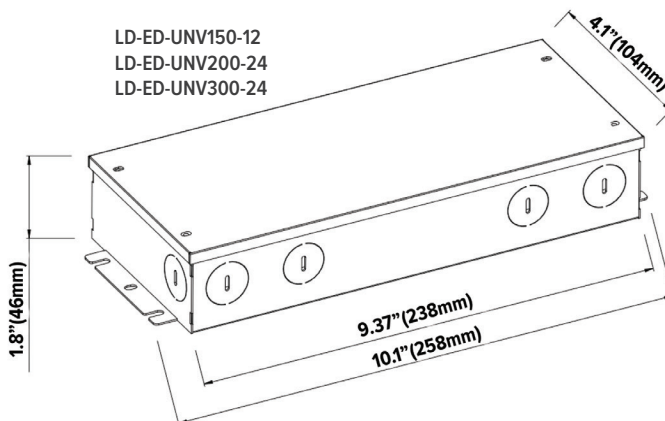
	Output	Input	Power Factor	Efficiency	Weight	Size (L*W*H)
LD-ED-UNV20-12	12V / 20W / 1.67A	120-277VAC, 0.24A	0.9	83%	1.3lbs (600g)	6.9x2.75x1.4in (177*70*35.2mm)
LD-ED-UNV20-24	24V / 20W / 0.83A					
LD-ED-UNV40-12	12V / 40W / 3.33A	120-277VAC, 0.46A		85%	1.4lbs (630g)	
LD-ED-UNV40-24	24V / 40W / 1.67A					
LD-ED-UNV60-12	12V / 60W / 5A	120-277VAC, 0.68A		86%	1.4lbs (643g)	
LD-ED-UNV60-24	24V / 60W / 5A					
LD-ED-UNV96-24	24V / 96W / 4A	120-277VAC, 1.1A	87%	1.4lbs (643g)		
LD-ED-UNV150-12	12V / 150W / 12.5A	120-277VAC, 1.6A	0.95	89%	4.5lbs (2050g)	10.1x4.1x1.8in (258*104*46mm)
LD-ED-UNV200-24	24V / 200W / 8.33A	120-277VAC, 2.2A		90%	4.6lbs (2100g)	
LD-ED-UNV300-24	24V / 300W / 12.5A	120-277VAC, 3.1A		90%	4.7lbs (2150g)	

DIMENSION

LD-ED-UNV20, LD-ED-UNV40
LD-ED-UNV60, LD-ED-UNV96

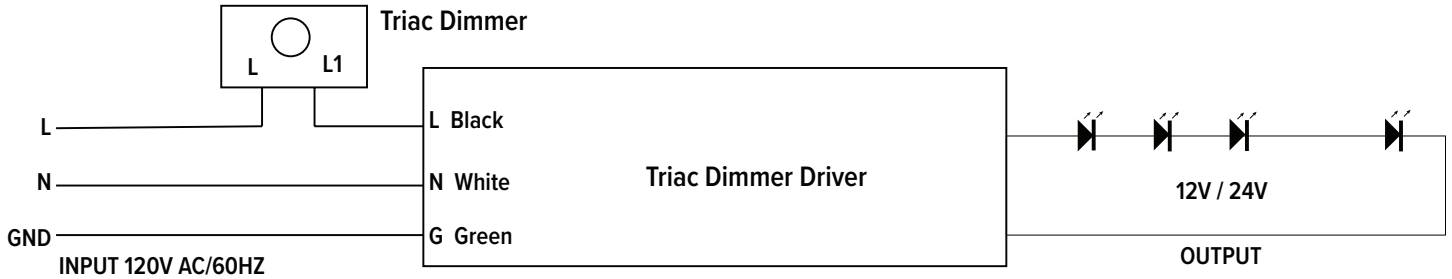


LD-ED-UNV150-12
LD-ED-UNV200-24
LD-ED-UNV300-24



Electronic Dimmable 12/24VDC LineDRIVE Power Supply Specification Sheet

WIRING DIAGRAMS

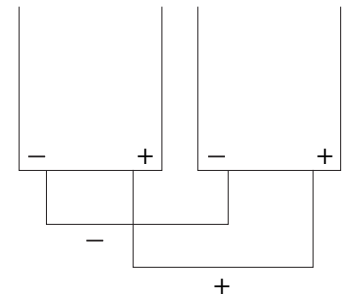


DIMMING OPERATION

- Compatible with leading edge and trailing edge/Forward Phase Triac Dimmers.
- Try to use dimmers with a capacity at least 2.5 times as the output power of the driver.
- For forward phase and triac dimmers. See Compatible Dimmers list below.

WARNING

- Do not reverse polarity.
- Risk of Fire. Consult a qualified electrician for installation.
- Risk of Electric Shock. Mount the unit at a height greater than 1 foot from the ground surface.



Multiple channels can be tied together for Non-Class 2 Output

COMPATIBLE DIMMERS

Dimmer	LD-ED-UNV20	LD-ED-UNV40	LD-ED-UNV60	LD-ED-UNV96	LD-ED-UNV150	LD-ED-UNV200	LD-ED-UNV300
DIVA-CL	✓	✓	✓	✓	✓	✓	✓
LUTRON-TG600	✓	✓	✓	✓	✓	✓	✓
LUTRON-MAESTRO-MCL-153	✓	✓	✓	✓	✓	✓	✓
LUTRON DIVA 303P	✓	✓	✓	✓	✓	✓	✓
LUTRON CASETA-PD	✓	✓	✓	✓	✓	✓	✓
LEVITON DECORA	✓	✓	✓	✓	✓	✓	✓
LUTRON SKYLARK-CONTOUR-CL	✓	✓	✓	✓	✓	✓	✓