

ChromaDim

Tunable White & Dimming Lighting Control System



Project Name	Type
Catalog #	Date

PRODUCT OVERVIEW

ChromaDim Tunable White & Dimming System offers a single-switch and driver eliminating redundant components and compatibility issues for superior performance. Enjoy smooth and soft color tuning by customizing your tunable white installation. Device pairing takes place automatically when the light is first switched on.



Note: This system is only compatible with GM Lighting's Tunable White LED Tape - LTR-S-TUN-24V-3.0W-16.

FEATURES

- All-In-One Wall Controller and Driver for Tunable White and Dimming
- 120VAC Wall Switch with no Battery Required
- Works with 24VDC Tunable White LED tape (LTR-S-TUN-24V-3.0W)
- Simple Installation w/ Automatic Pairing
- No Compatibility Issues
- Fits US Standard Gang Box
- Flicker-Free Soft Dimming and CCT Adjustment
- Compliant to IEEE and Title 24 Requirements
- A Single Wall Switch Can Control Multiple LED Drivers (6)
- Classic Design to Match Existing Style Switches
- UL Listed

WALL SWITCH SPECIFICATIONS

ELECTRICAL

- 120V
- 600W max. load
- 100% - 0.1% dimming range
- RF auto pairing
- Neutral wire required

CERTIFICATION

- UL compliant (Indoor Only)
- IEEE / Title24

WARRANTY

- 5-year warranty

HOUSING

- White glossy polycarbonate

DRIVER SPECIFICATIONS

ELECTRICAL

- 24VDC voltage
- 90W max. power
- 3.75A rated current
- 120VAC / 60Hz
- >0.96 Power factor
- 89% efficiency

OPERATING TEMP

- -40 to 140°F (-40 to +60°C)

CERTIFICATION

- UL compliant with .5" knock-outs
- IEEE / Title24
- Class 2

PROTECTION

- Current overload protection
- Hiccup mode, auto-recovery after short circuit removed

WARRANTY

- 5-year warranty

ORDERING INFORMATION

Example: LTR-S-TUN-SYS

	-		-		-	
Model	-	Series	-	Type	-	Voltage
LTR		S		TUN		SYS

Note: Includes (1) Wall Controller and (1) 90W Driver

ACCESSORIES

Model	
LTR-S-TUN-24V-90W	90W 24V Tunable White Driver

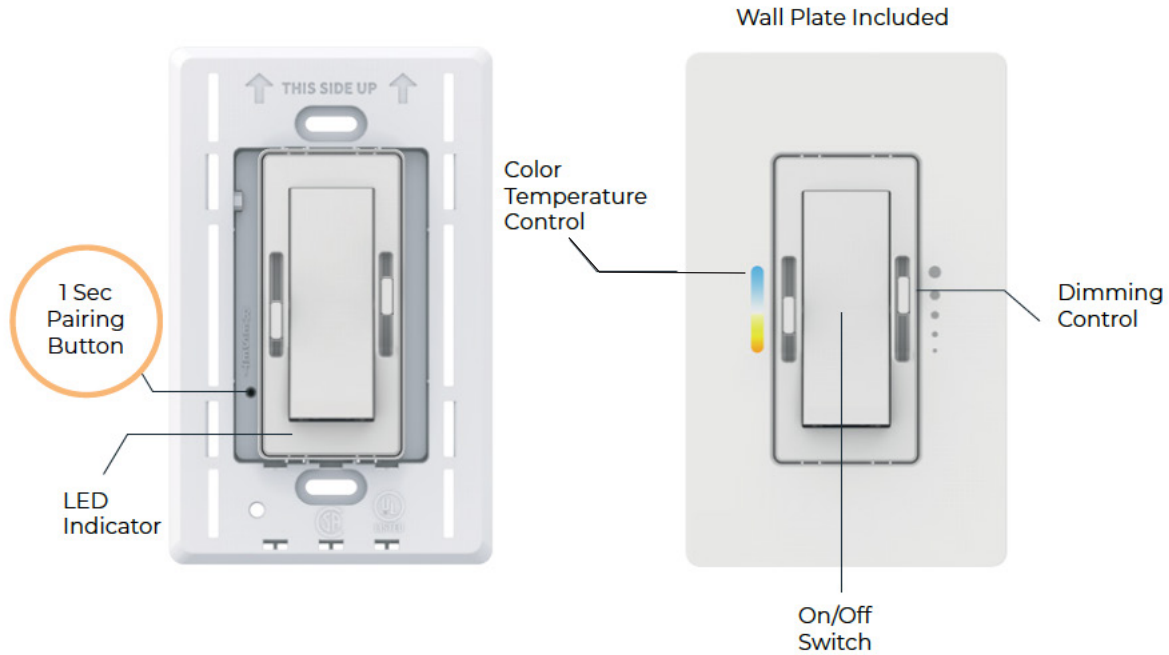
Note: (1) Wall Controller can pair with (6) drivers max.

ChromaDim

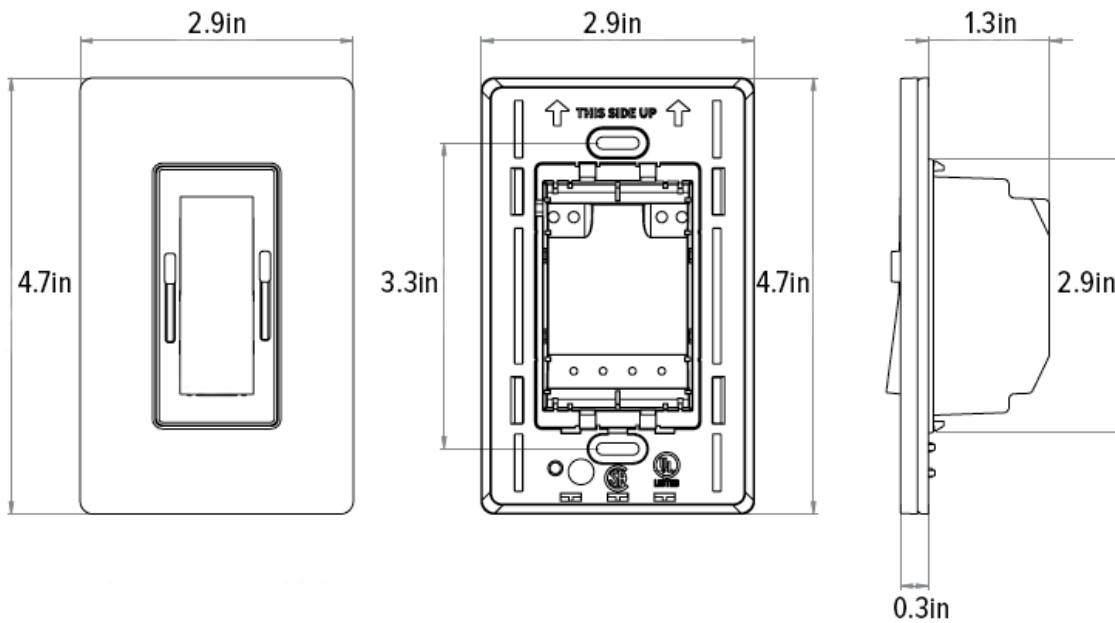
Tunable White & Dimming Lighting Control System



OVERVIEW



WALL SWITCH DIMENSIONS

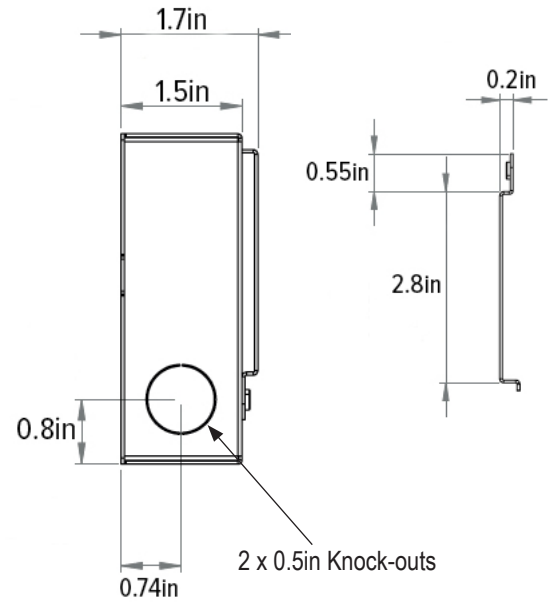
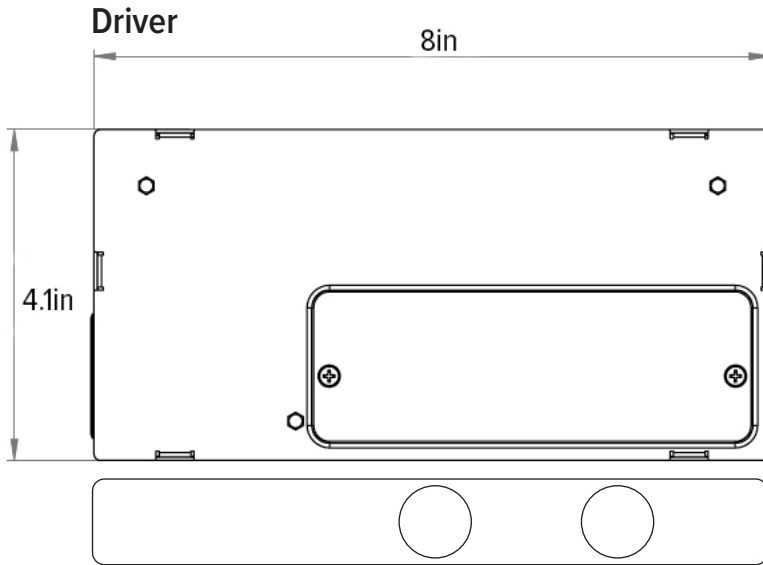


ChromaDim

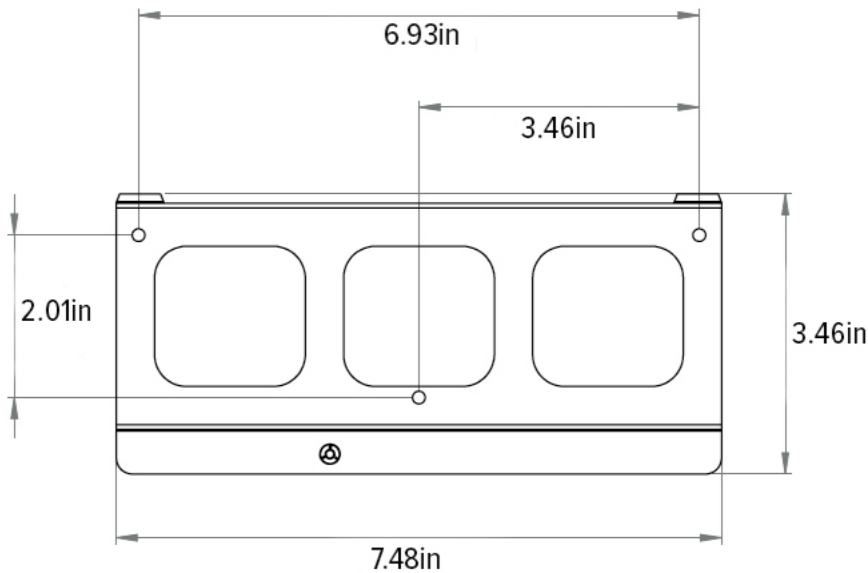
Tunable White & Dimming Lighting Control System



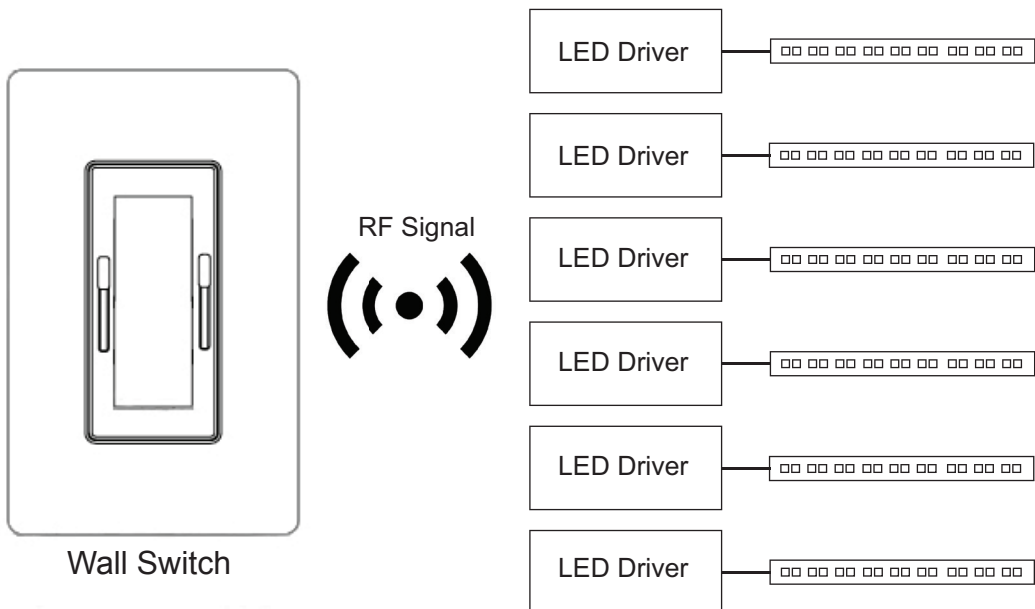
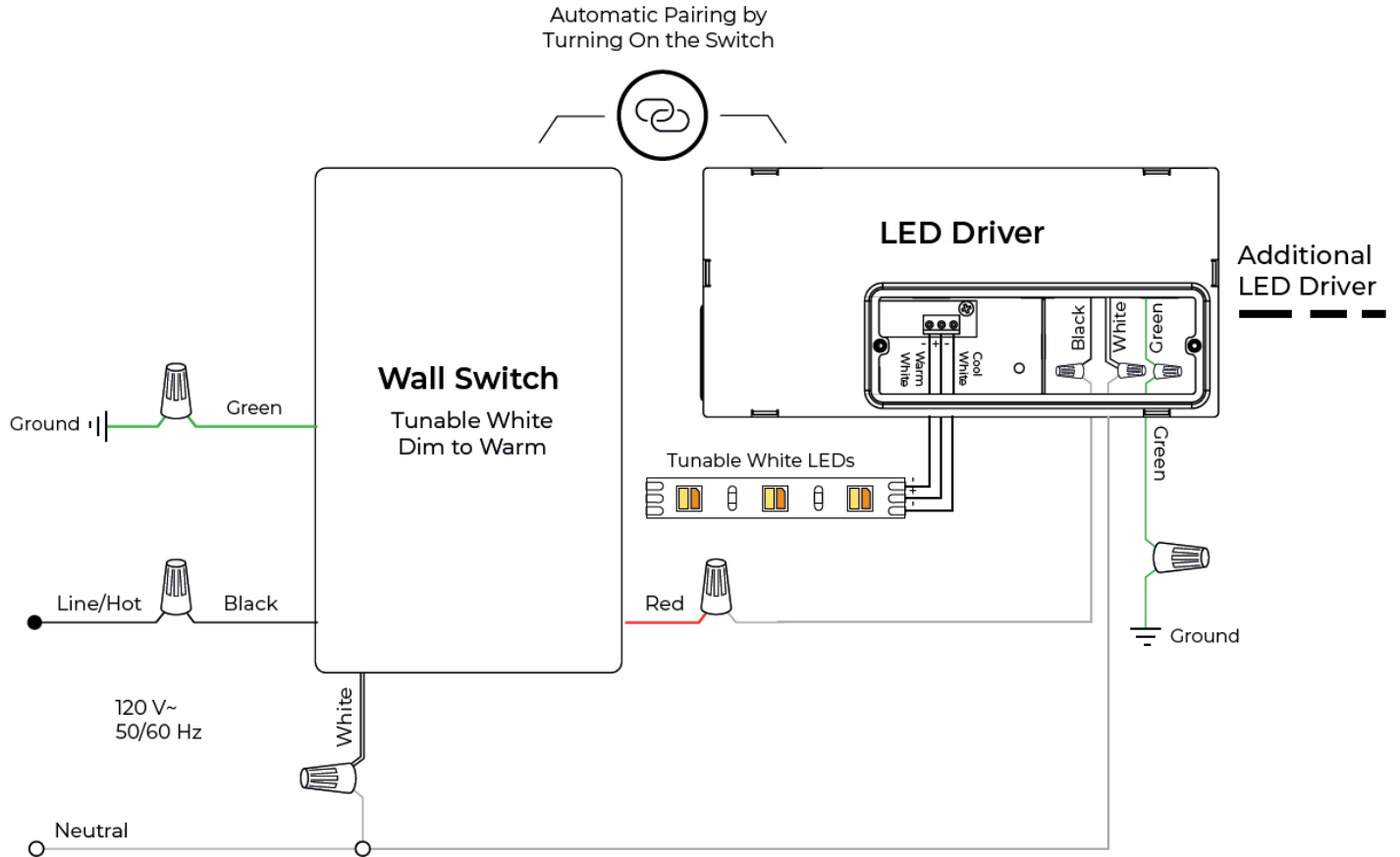
DRIVER DIMENSIONS



Wall Bracket



WIRING DIAGRAM



Note: All drivers will work in sync. (1) Wall Controller can pair with (6) drivers max.