

DIMMABLE LED LIGHTBAR

24VDC LARC6 UNDERCABINET Specification Sheet



Project Name	Type
Catalog #	Date

PRODUCT OVERVIEW

LARC6 24VDC Architectural LED Linear Lightbar is an 8", 16", 24" or 32" white, rigid and unobtrusive (only 3/8" thickness) dimmable LED Lightbar. LARC6 can be interconnected in series from one 24VDC power source. Designed for undercabinet, commercial, architectural and task applications. Can be used with DPPS power supply.

FEATURES

- Rated at 3W (8"), 7W (16"), 10W (24") and 13W (32")
- 3000K
- Dimmable
- Maximum run: 16'
- Mounting clips and screws included
- Units join securely together with modular connectors (see below)
- Available in 8", 16", 24" and 32" lengths

SPECIFICATIONS

ELECTRICAL

- 24VDC

OPTICS

- 80+ CRI

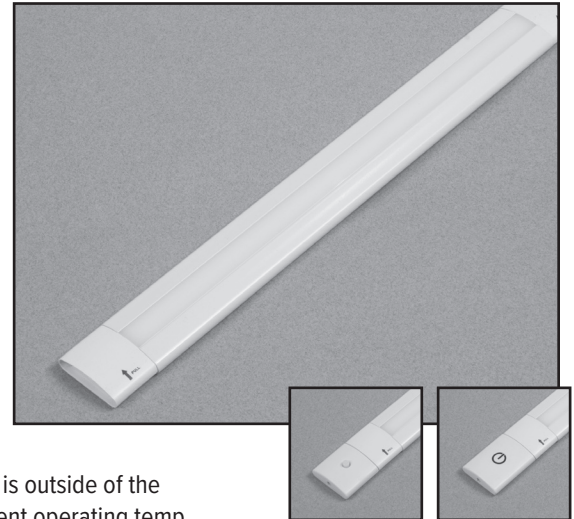
WARRANTY

- 5 year warranty when used with GM power supplies

CERTIFICATION

- 24VDC UL compliant
- Class 2

NOTE: Do not install in an environment that is outside of the products listed ambient temperature. Ambient operating temp -4°F – 104°F



ORDERING INFORMATION

Example: LARC6-8-WW-W

Catalog No.	Length	Wattage	Lumens	Color Temp	Finish
LARC6-8-WW-W	8" / 203mm	3W / bar	200 / bar	3000K	White
LARC6-16-WW-W	16" / 406mm	7W / bar	450 / bar	3000K	White
LARC6-24-WW-W	24" / 610 mm	10W / bar	720 / bar	3000K	White
LARC6-32-WW-W	32" / 1100mm	13W / bar	1100 / bar	3000K	White

Includes (2) mounting clips with screws, (1) lightbar to power supply connector (GMC-PS-24-W) and (1) rigid bar to bar connector (LARC6-BB-1-W) included with each lightbar.

CONNECTORS AND ACCESSORIES

Catalog No.	Description
DPPS-24W-24V	24V - 24W Class 2 power supply with cord and plug
DPPS-36-24V	24V - 36W Class 2 power supply with cord and plug
DPSP-4-W(B)	4 port splitter - White or Black
DPSP-8-W(B)	8 port splitter - White or Black
GMC-MF-24-W(B)	24" male to female cable connector - White or Black
GMC-MF-39-W(B)	39" male to female cable connector - White or Black
GMC-MF-60-W(B)	60" male to female cable connector - White or Black
GMC-MM-3-W(B)	3" male to male cable connector - White or Black
GMC-MM-6-W(B)	6" male to male cable connector - White or Black

DIMMABLE LED LIGHTBAR

24VDC LARC6 UNDERCABINET Specification Sheet

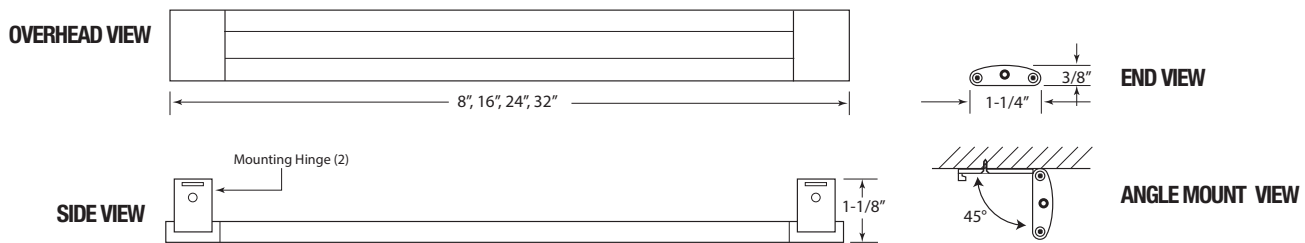


CONNECTORS AND ACCESSORIES (CONTINUED)

Catalog No.	Description
GMC-MM-12-W(B)	12" male to male cable connector - White or Black
GMC-MM-24-W(B)	24" male to male cable connector - White or Black
GMC-MM-39-W(B)	39" male to male cable connector - White or Black
GMC-MM-60-W(B)	60" male to male cable connector - White or Black
GMC-FF-3-W(B)	3" female to female connector - White or Black 115
GMC-PS-24-W(B)	24" lightbar to power supply connector - White or Black
GMC-PS-48-W(B)	48" lightbar to power supply connector - White or Black
GMC-PS-60-W(B)	60" lightbar to power supply connector - White or Black
LARC6-TD-W	Rigid inline touch dimmer - white
LARC6-MS-W	Inline master power switch - white
LARC6-OS-W	Inline occupancy sensor - white
GMSB-W (B)	Splice box White or Black - 2"L x 1"W x 5/8"D

Note: For LARC6-TD-W and LARC6-OS-W, use only non-dimmable power supply.

DIMENSION



Note: Ambient operating temp range -4F to 104 F. Do not install in an environment that is outside of the product's listed ambient temp.

FIXTURE DIAGRAM

