

ELECTRONIC LED DRIVER

INSTALLATION GUIDE

GENERAL

This LED driver is to be installed Indoor in accordance with Article 450 of the National Electric code (N.E.C.) . The LED driver must be installed in a well-ventilated area free from explosive gases and vapors. Proper operation requires the free flow of air. Only a qualified electrician should install this hardwired LED driver.

PRECAUTIONS BEFORE INSTALLING

Check the label and ensure the LED driver has the proper input voltage, output voltage and wattage for the job. Check the wire color to ensure they match the wiring diagram on this instruction sheet.

MOUNTING

Select a suitable location capable of supporting the weight of the LED driver.

INPUT CONNECTIONS/GROUNDING

Remove the wiring compartment knockouts and install strain reliefs. With power turned off, route the input wires through a strain relief. Plug Neutral, Live and grounding wires into the each terminal of white, black and green wires from LED driver respectively. The LED driver MUST be grounded in accordance with the N.E.C.

OUTPUT CONNECTIONS

Bring the lamp wires through the open knockout. Single-channel output models: Plug the LED positive (+) wire into terminal of red wire from LED driver. Plug the LED negative (-) wire into terminal of blue wire from LED driver. Multi-channel output models: Refer to their unit label and specification for each output connection. Please note interconnection of outputs are not permitted.

QUICK SPECS

Input Voltage	
Output Voltage	See Product Label
Maximum Load	
Operating Temp	-40° ~ 140°F (-40° ~ 60°C)
Environment	Dry and Damp Location / Indoor

INPUT VOLTAGE NOTE!

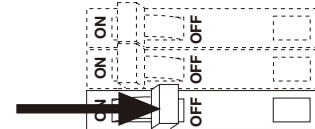
The input voltage: 120VAC to 277VAC
ENSURE to power the driver with the correct voltage!

INSTALLATION

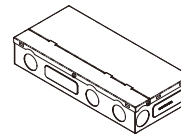
1) TURNING OFF POWER



WARNING: Electric Shock Hazard. May result in serious injury or death.
Turn power OFF at circuit breaker prior to installation.



2) INSTALL COMPONENTS



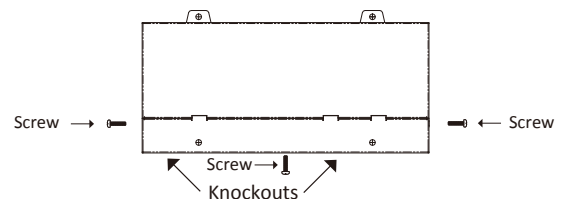
1) LED Driver



2) Fixture

3) REMOVE WIRING COVER. WIRE DRIVER.

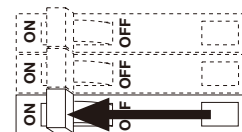
Pop off cover to access wiring compartment.
Remove knockouts with hammer and punch.



Attach load and control. Only use copper wiring. Refer to 'System Diagrams', and installation guides.

4) TURN POWER ON AT CIRCUIT BREAKER

Install Additional Components, Verify Connections and turn main power ON at breaker.



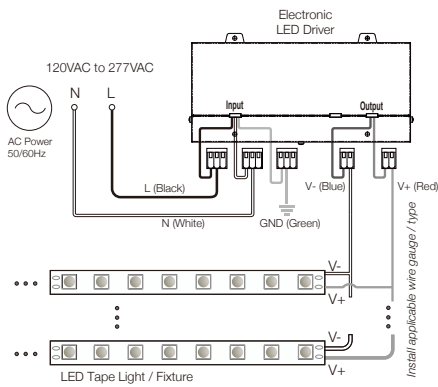
SYSTEM WORKING IMPROPERLY?

Turn power OFF at circuit breaker and verify all connections.
Review WIRING and TROUBLESHOOTING

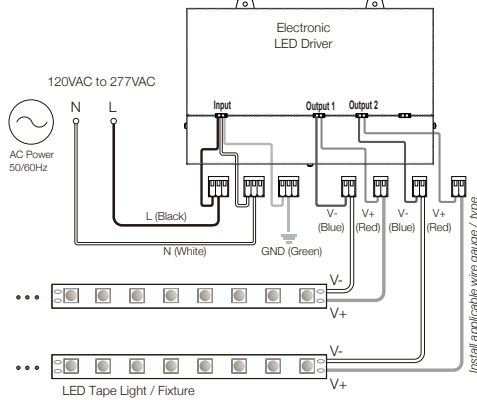
WIRING DIAGRAMS

The following diagrams are provided as example system designs. Install in accordance with national and local electrical code regulations.

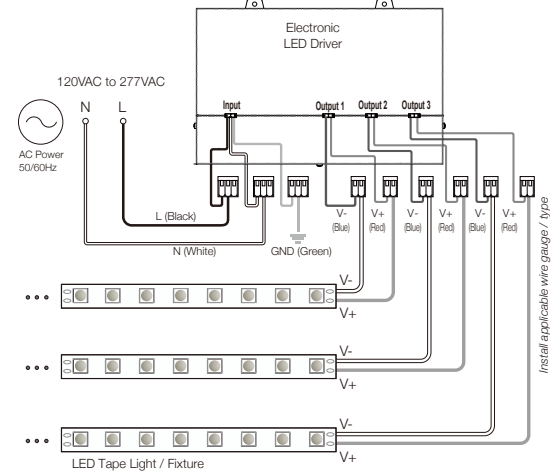
SINGLE CHANNEL DIAGRAM



TWO-CHANNEL DIAGRAM



THREE-CHANNEL DIAGRAM



See fixture specifications for maximum series run limits.

VOLTAGE DROP CHART

This chart indicates dc voltage at the beginning of your LED Linear Lighting Run.

Voltage Drop Chart for 24VDC
Load current in amp (per run)

Wire Size	Distance	Voltage Drop Chart for 24VDC				
		1.25AMP	2.5AMP	4.0AMP	4.16AMP	5.0AMP
18AWG	10ft	23.84	23.68	23.49	23.47	23.36
	25ft	23.60	23.20	22.72	22.67	22.40
	50ft	23.20	22.40	23.49	23.47	23.36
	100ft	22.40	20.80	18.88	18.67	17.60
	200ft	20.80	17.60	13.76	13.35	11.20
14AWG	10ft	23.94	23.87	23.80	23.79	23.75
	25ft	23.84	23.68	23.49	23.47	23.37
	50ft	23.68	23.37	22.99	22.95	22.74
	100ft	23.37	22.74	21.98	21.90	21.47
	200ft	22.74	21.47	19.96	19.80	18.95
12AWG	10ft	23.96	23.92	23.87	23.87	23.84
	25ft	23.90	23.80	23.68	23.67	23.60
	50ft	23.80	23.60	23.36	23.34	23.21
	100ft	23.60	23.21	22.73	22.68	22.41
	200ft	23.21	22.41	21.46	21.36	20.82
10AWG	10ft	23.98	23.95	23.92	23.92	23.90
	25ft	23.94	23.88	23.80	23.79	23.75
	50ft	23.88	23.75	23.60	23.58	23.50
	100ft	23.75	23.50	23.20	23.17	23.00
	200ft	23.50	23.00	22.40	22.34	22.00

Note: The results are based on an estimation under normal conditions.

TROUBLESHOOTING

Prior to troubleshooting, ensure all items are a compatible system and main power is turned ON.

Fixture does not illuminate	<ul style="list-style-type: none"> See 'Wiring Diagrams' and installation guides of all components. Ensure the system is wired correctly and polarities are correct. Ensure the driver and fixture have the same voltage specifications.
Fixture is flashing or flickering	<ul style="list-style-type: none"> Ensure all connections are properly secured. Ensure driver is not overloaded. An overloaded driver will cause the internal auto-reset to trip repeatedly. Ensure each output channel connected properly. No interconnection for outputs
Installation Trips Main Breaker	<ul style="list-style-type: none"> Check wiring for short circuit. If breaker continues to trip there may be a short in the driver. Call customer support for a replacement driver. Check AFCI for faults. Check for neutral or ground faults.