

LED-CHL-XD
LED-CHL-XD-F

PROJECT	TYPE
CATALOG NUMBER	

PRODUCT DESCRIPTION

Extruded aluminum extra deep, surface and recessed channel with snap-in frosted glossy lens that provides a rigid, deep set linear mounting platform for the all GM Lighting LED linear tape. Channel creates a diode free light source.

FITS ALL GM LIGHTING LED LINEAR TAPE

MOUNTING OPTIONS

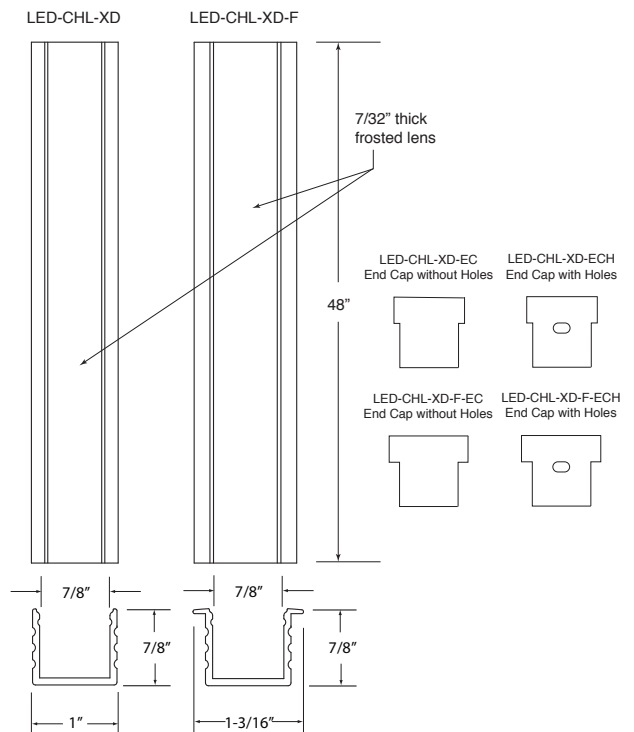
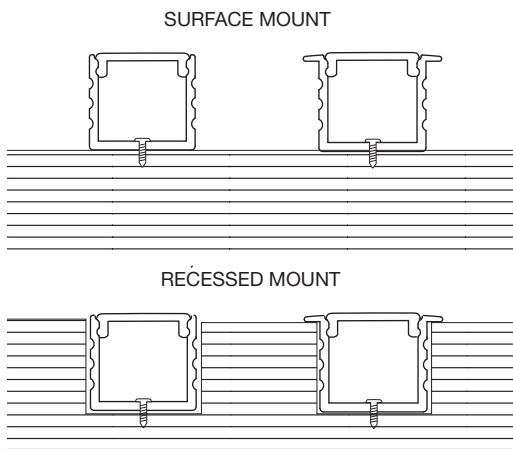
#4 1/2" Phillips Flathead Screws (included)
Clips and Screws (included).

LENS:

Supplied with frosted glossy lens.

END CAPS:

Available separately. See below.



Accessories	
LED-CHL-XD-EC	Solid end cap (1) and end cap with hole (1) for LED-CHL-XD
LED-CHL-XD-F-EC	Solid end cap (1) and end cap with hole (1) for LED-CHL-XD-F

Model Number	Description	Length	Height	Width	Finish
LED-CHL-XD	Extra deep regressed architectural aluminum channel	48"	7/8"	1"	Anodized Silver
LED-CHL-XD-F	Flanged extruded extra deep regressed aluminum channel	48"	7/8"	1-3/16"	Anodized Silver

Each channel comes with two mounting clips and screws.