

BEFORE YOU START:

- Please check local electrical codes before beginning
- Turn power off before installing
- Make sure to use properly rated wire

GEOTASK CAN BE MOUNTED ON ANY SURFACE WHERE A JUNCTION BOX IS PRESENT. THESE INSTRUCTIONS ARE ORIENTED TOWARDS A CEILING INSTALLATION. WALL INSTALLATION IS THE SAME, JUST NOT FACING DOWN AS SHOWN IN THE DIAGRAMS.

ALTHOUGH INSTRUCTIONS SHOW A SQUARE FIXTURE, THE SAME INSTALLATION PROCEDURES APPLY TO ROUND FIXTURES.

1. PRIOR TO INSTALLATION, install mounting plate onto the electrical junction box (by others) with mounting screws. Make sure screws are driven in fully (**Fig. 1**).

2. CONNECT SUPPLY WIRES TO FIXTURE WIRES:

Using wire nuts (by others), connect fixture wires to wires coming from power main. Push wires up into electrical junction box (**Fig. 2**).

3. PUSH INTO SURFACE PLANE: Mounting plate captures mounting spring. Position fixture with mounting spring captured into mounting plate, and push firmly into place (**Fig. 3**).

FIG. 2

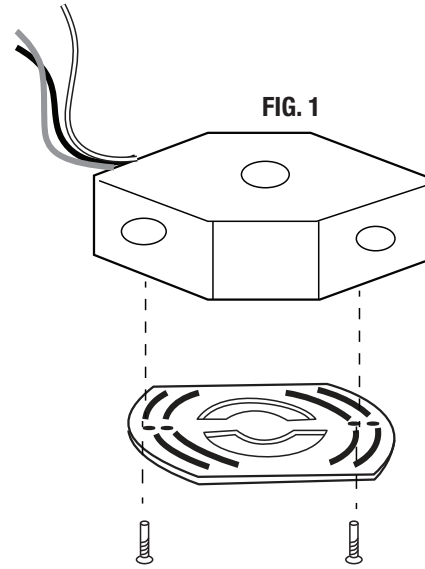
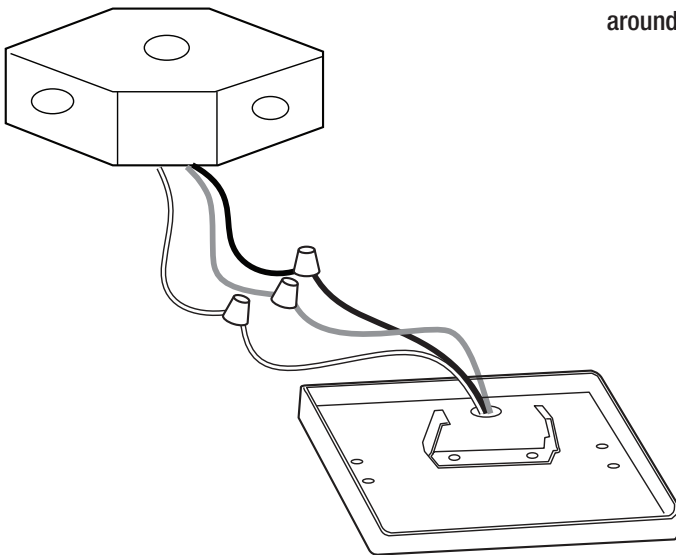
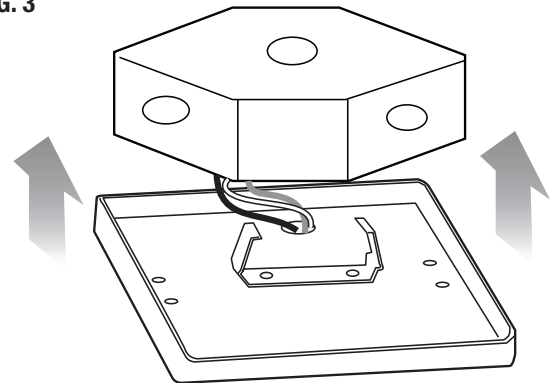


FIG. 1

FIG. 3



Seal luminaire to surface around this entire edge

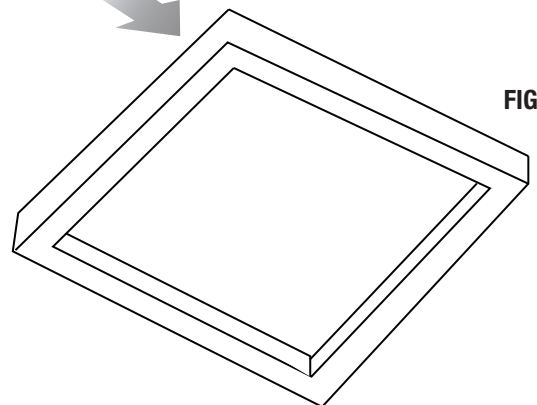


FIG. 4

NOTE: FOR WET LOCATIONS, FILL THE GAP BETWEEN THE LUMINAIRE AND THE CEILING WITH WATERPROOF GLUE AFTER INSTALLATION IS COMPLETED (Fig. 4)